

PRODUCT → [CERAMIC FILTERS](#) → LT MB CERAMIC FILTER FOR TV/VCR STAGE

### Ceramic Filter - LT MB

LT MB series is a high selectivity filter for 2 channel multi-sound TV. Features with frequency adjustment-free, high performance and durability, and high selectivity.

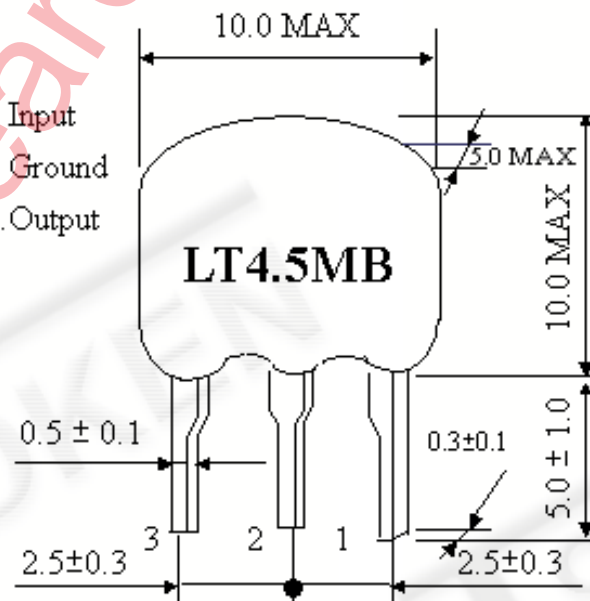
LT MB SERIES FOR TV/VCR STAGE ( Murata SFE MB series Compatible )

4.5 MHz ~ 6.5 MHz

### LT MB SERIES TECHNICAL CHARACTERISTICS TABLE

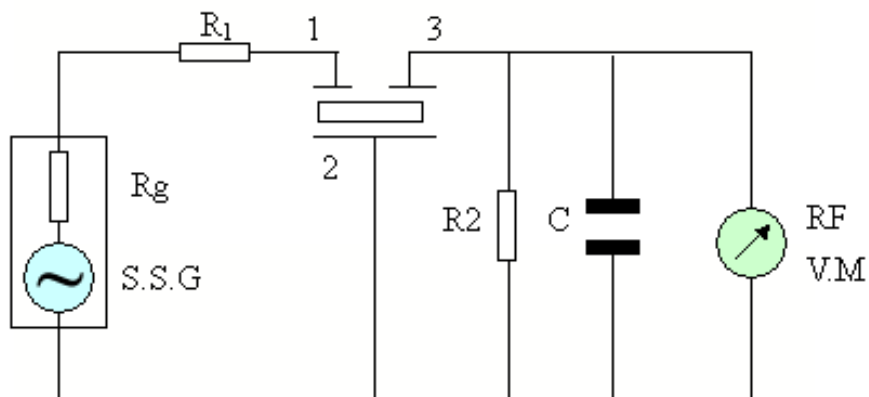
Part Number	Nominal Center Frequency (fn)(MHz)	3dB Band Width (kHz) min	20dB BandWidth (kHz) max	Insert Loss (dB) max	Spurious Attenuation (dB)min	Input/Ouput Impedance(Ω)
LT4.5MB	4.500	fn±50	530	6.0	20(4.5 <sup>+0.8</sup> <sub>-1.0</sub> MHz)	1000
LT5.5MB	5.500	fn±75	550	6.0	25(5.5±1MHz)	600
LT6.0MB	6.000	fn±80	600	6.0	25(6.0±1MHz)	470
LT6.5MB	6.500	fn±80	630	6.0	25(6.5+1MHz)	470
					30(6.5-1MHz)	

### LT MB SERIES DIMENSIONS

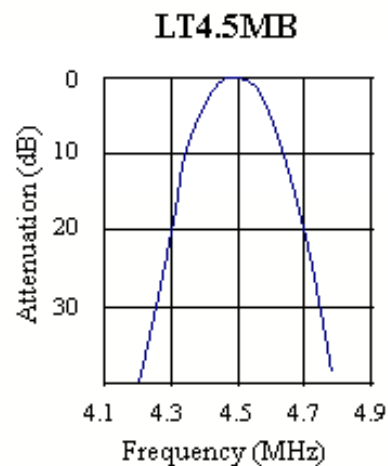


LT MB SERIES TEST CIRCUIT

LT MB SERIES CHARACTERISTICS



$R_g + R_1 = R_2 =$  Input and Output Impedance  
 $C = 10\text{pF}$  (Including Stray Capacitance and Input Capacitance of RF Voltmeter.)



[CERAMIC FILTER FOR TV/VCR STAGE - To Top Page](#)

TOKEN PASSIVE COMPONENTS  
 TEL:886-2-29810109 FAX:886-2-29887487