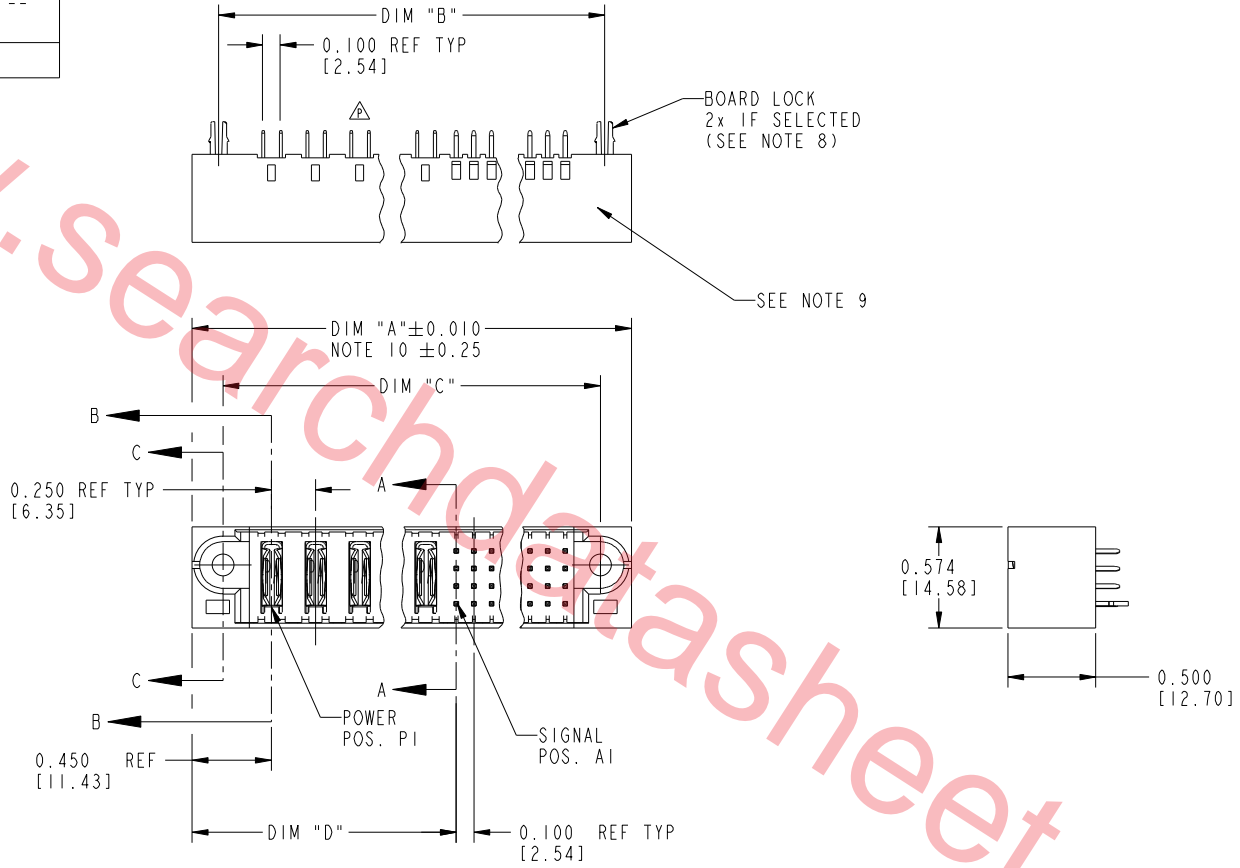


Tous droits strictement réservés. Reproduction ou communication à des tiers interdite sous quelque forme que ce soit sans autorisation écrite du propriétaire. Propriété de c.FCI. Droits de reproduction FCI.



All rights strictly reserved. Reproduction or issue to third parties in any form whatever is not permitted without written authority from the proprietor. Property of FCI. Copyright FCI.

PRODUCT NUMBER  
51702-ABBCCC00EF--  
Note: ①  
SEE NOTE 1



mat'l code				NOTE 2		tolerances unless otherwise specified		CUSTOMER		FCI www.fciconnect.com	
ltr	ecn no.	dr	date	linear	.XX±.01/0.X±0.3		COPY		title VERTICAL HEADER w/ GUIDE PIN POWER / SIGNAL		
L	DG05-0132	SJ	05/30/05		.XXX±.005/0.XX±0.13		projection				
M	DG06-0505	CS	01/13/05	angles	.XXX±.0020/.XXX±.051		INCH/MM		product family PWRBLADE code 213		
N	DG08-0239	JC	09/03/08		0°±2°		scale		size dwg no 51702 sheet 1 of 3		
P	DG10-0078	AL	02/23/10	dr	JRW	10-16-01	1:1		cage code 22526		
				enr	J.ALLISON	10-16-01					
				chr	J.ALLISON	10-16-01					
				appd	J.ALLISON	10-16-01					
sheet index	revision sheet	P	P	P							
		1	2	3							

Pro/E

cage code 22526

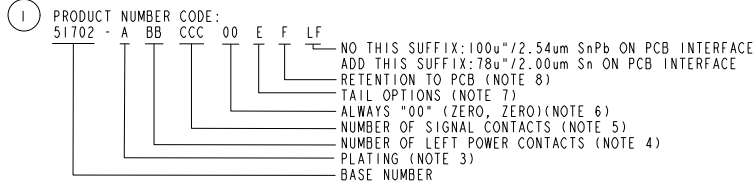
Tous droits strictement reserves. Reproduction ou communication a des tiers interdite sous quelque forme que ce soit sans autorisation écrite du propriétaire. Propriete de c FCI. Droits de reproduction FCI.

All rights strictly reserved. Reproduction or issue to third parties in any form whatever is not permitted without written authority from the proprietor. Property of FCI. Copyright FCI.

PRODUCT NUMBER
51702-ABBCCC00EF-- Note: ①
SEE NOTE 1

DIM	LENGTH FORMULAS (SEE NOTE 10)
DIM "A"	.250 [6.35] x BB + .100 [2.54] x (CCC/4) + .650 [16.51] (NOTE 10)
DIM "B"	.250 [6.35] x BB + .100 [2.54] x (CCC/4) + .350 [8.89]
DIM "C"	.250 [6.35] x BB + .100 [2.54] x (CCC/4) + .300 [7.62]
DIM "D"	.250 [6.35] x BB + .375 [9.53]
DIM "F"	.250 [6.35] x BB + .100 [2.54] x (CCC/4) + .680 [17.27]
DIM "G"	.250 [6.35] x BB + .225 [5.72]

CONNECTOR NOTES



- ② HOUSING MATERIAL: UL94 V-0 GLASS FILLED HIGH TEMP THERMO PLASTIC.  
SIGNAL CONTACT MATERIAL: COPPER ALLOY  
POWER CONTACT MATERIAL: COPPER ALLOY
- ③ PLATING OPTION:  
1 = SEE PRINT 10064183 FOR PLATING SPEC OF 51702-1BBCCC00EF; 51702-1BBCCC00EFLF.
- ④ LEFT END POWER CONTACTS, 01 TO 20 AVAILABLE.
- ⑤ SIGNAL CONTACT, 004 TO 148 AVAILABLE.
- ⑥ THIS PART NOT AVAILABLE WITH RIGHT SIDE POWER CONTACTS.
- ⑦ TAIL OPTIONS:  
A = 0.135 +0.015/-0.010 [3.43 +0.38/-0.25] SOLDER TO BOARD  
B = 0.165 +0.015/-0.010 [4.19 +0.38/-0.25] SOLDER TO BOARD  
C = 0.165 +0.015/-0.010 [4.19 +0.38/-0.25] PRESS FIT
- ⑧ RETENTION TO PCB OPTIONS:  
A = BOARD LOCK (REQUIRES 0.098 +0.002/-0.001 [2.49 +0.05/-0.03] THRU HOLE IN PCB). (NOT AVAILABLE WITH PRESS FIT)  
C = NO RETENTION FEATURE (ALL PRESS FIT).

- ⑨ MANUFACTURE'S NAME, P/N, AND DATE CODE TO APPEAR ON THIS SURFACE.
  - ⑩ THE MAXIMUM OVERALL LENGTH (DIM A) OF A PART IS 8.00 [203.2]
  - ⑪ PRODUCT SPECIFICATION GS-12-149
  - 12. SEE PWRBLADE VERTICAL HEADER SPECIAL WORKSHEET (91696) FOR MATING LENGTH OPTIONS.
  - 13. DIMENSIONS AND TOLERANCES ARE IN ACCORDANCE WITH ASME Y14.5M, 1994 UNLESS OTHERWISE SPECIFIED.
- PCB NOTES:
- 14. ALL DIMENSIONS ARE BASIC UNLESS OTHERWISE SPECIFIED.
  - 15. ALL THROUGH HOLES ARE LOCATED WITH A TRUE POSITION OF 0.004 [0.10]
  - 16. ALL HOLE DIAMETERS ARE FINISHED HOLE SIZE.
  - 17. Ø0.098 [2.49] THROUGH HOLES ARE UNPLATED
  - 18. Ø0.0453 ±0.0010 [1.151 ±0.025] DRILLED HOLES PLATED WITH 0.0003 [0.008] MIN SnPb OVER 0.001 [0.03] TO 0.003 [0.08] Cu PLATING TO ACHIEVE A Ø0.040±0.003 [1.02±0.07] HOLE.
  - 19. FOR PRESS FIT APPLICATION USE FCI CAM TOOL 430169-XXX.
  - 20. A Δ SYMBOL WILL BE NEXT TO ANY DIMENSION, VIEW, OR NOTE WHICH HAS BEEN MODIFIED WITH THE CURRENT DRAWING REVISION.

mat'l code		NOTE 2		tolerances unless otherwise specified		CUSTOMER		FCI		www.fciconnect.com	
ltr	ecn no.	dr	date	linear	.XX±.01/0.X±0.3	COPY		projection		title	
P				angles	.XXX±.005/0.XX±0.13	INCH/MM		⊕		VERTICAL HEADER w/ GUIDE PIN POWER / SIGNAL	
				dr	.XXX±.0020/.XXX±.051	scale		product family		code	
				enr	0°±2°	1:1		PWRBLADE		213	
				chr	JRW 10-16-01	A		size		sheet	
				appd	J.ALLISON 10-16-01			dwg no		2	
sheet index	revision sheet				J.ALLISON 10-16-01			51702			

1 | 2

3 |

4

Pro/E

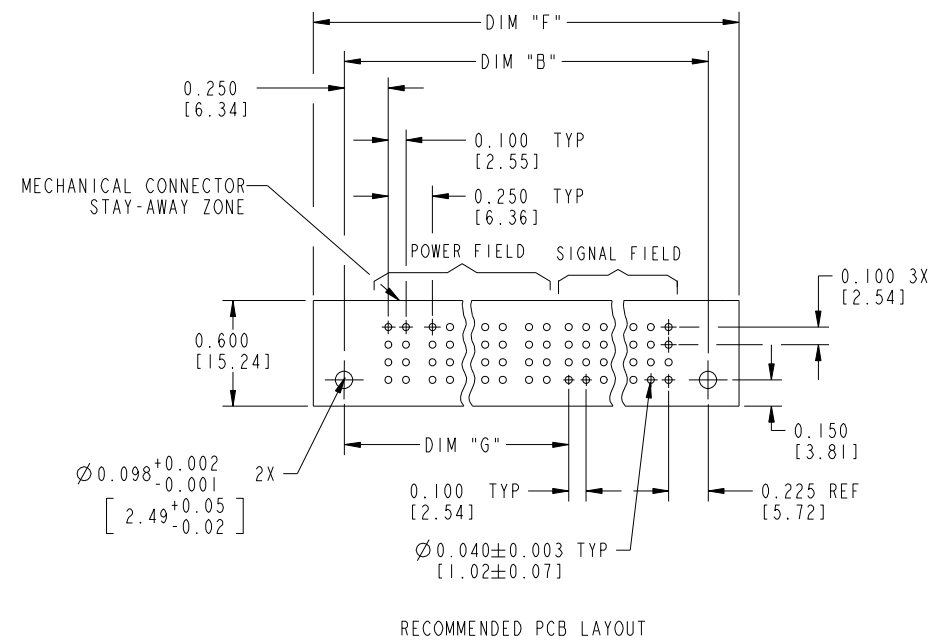
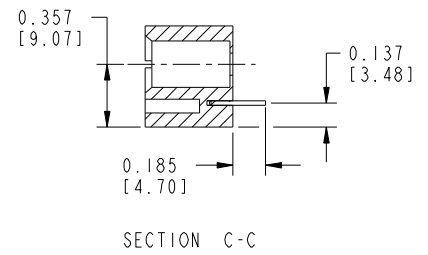
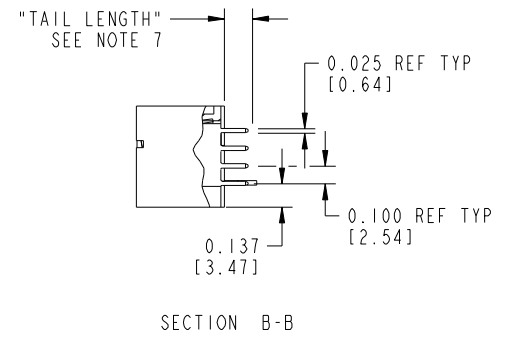
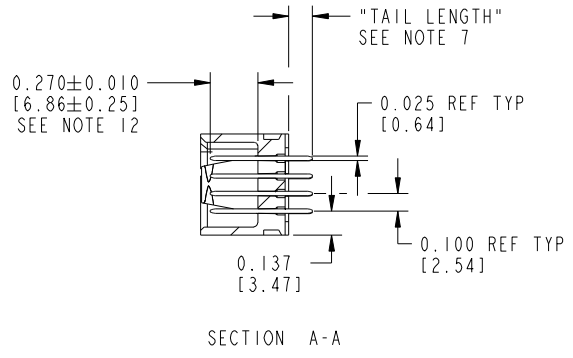
cage code 22526

Tous droits strictement réservés. Reproduction ou communication à des tiers interdite sous quelque forme que ce soit sans autorisation écrite du propriétaire. Propriété de c.FCI. Droits de reproduction FCI.



All rights strictly reserved. Reproduction or issue to third parties in any form whatever is not permitted without written authority from the proprietor. Property of FCI. Copyright FCI.

PRODUCT NUMBER
51702-ABBCCC00EF -- Note: ①
SEE NOTE 1



mat'l code		NOTE 2	tolerances unless otherwise specified		CUSTOMER	www.fciconnect.com	
ltr	ecn no.	dr	date	linear	COPY	title	
P				.XX±.01/0.X±0.3	projection	VERTICAL HEADER w/ GUIDE PIN POWER / SIGNAL	
				.XXX±.005/0.XX±0.13		product family	PWRBLADE
				.XXX±.0020/.XXX±.051	INCH/MM	size	dwg no
				angles	scale	A	51702
				0°±2°	1:1	code	213
				dr		sheet	3
				enr	J.ALLISON	10-16-01	
				chr	J.ALLISON	10-16-01	
				appd	J.ALLISON	10-16-01	
sheet index	revision sheet						

cage code 22526