

REV. A	SHEET 1 OF 3	DOCUMENT NO. 10-646402-204X
REVISIONS M		
LTR	DESCRIPTION	DATE
A	INITIAL RELEASE	---

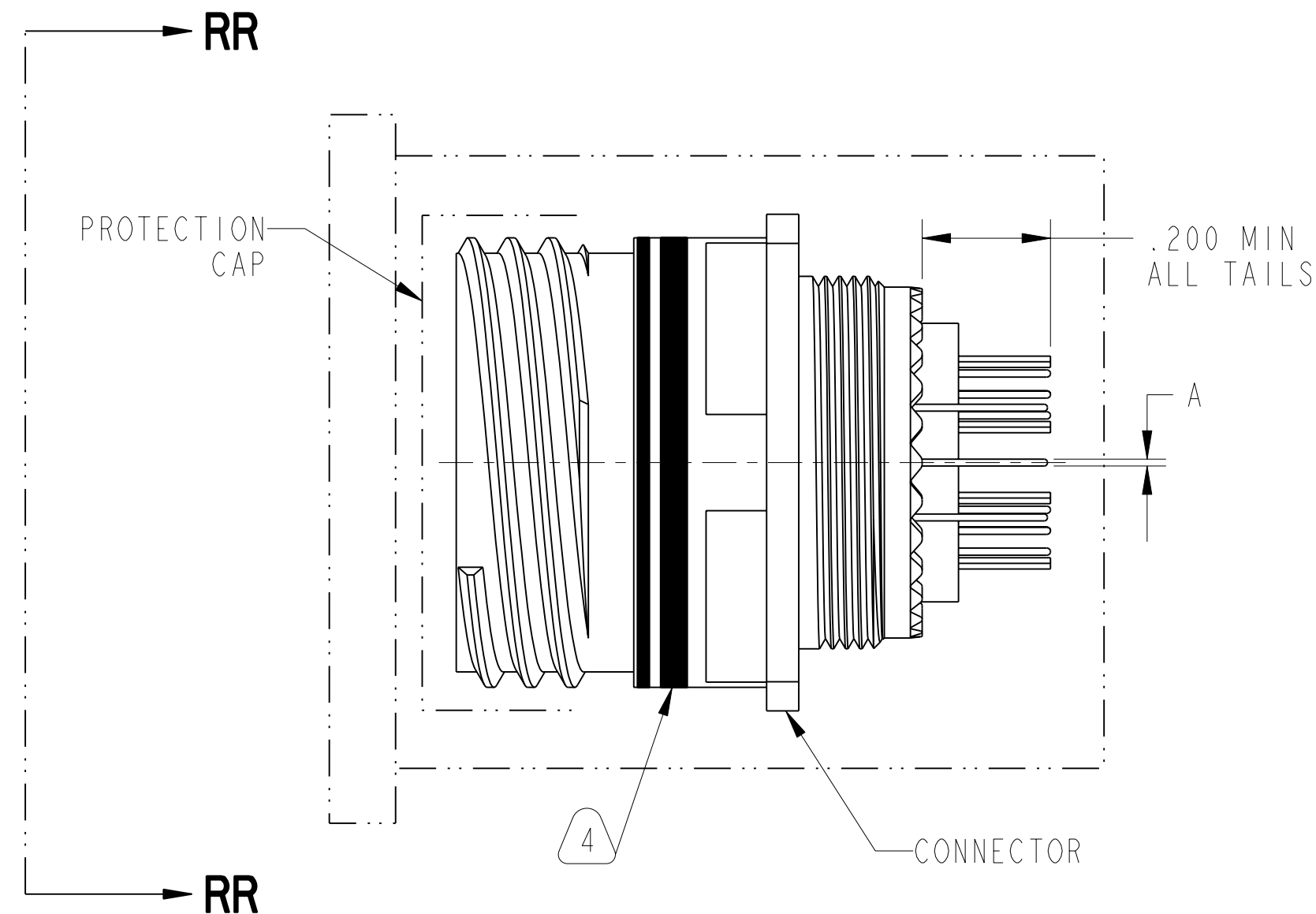
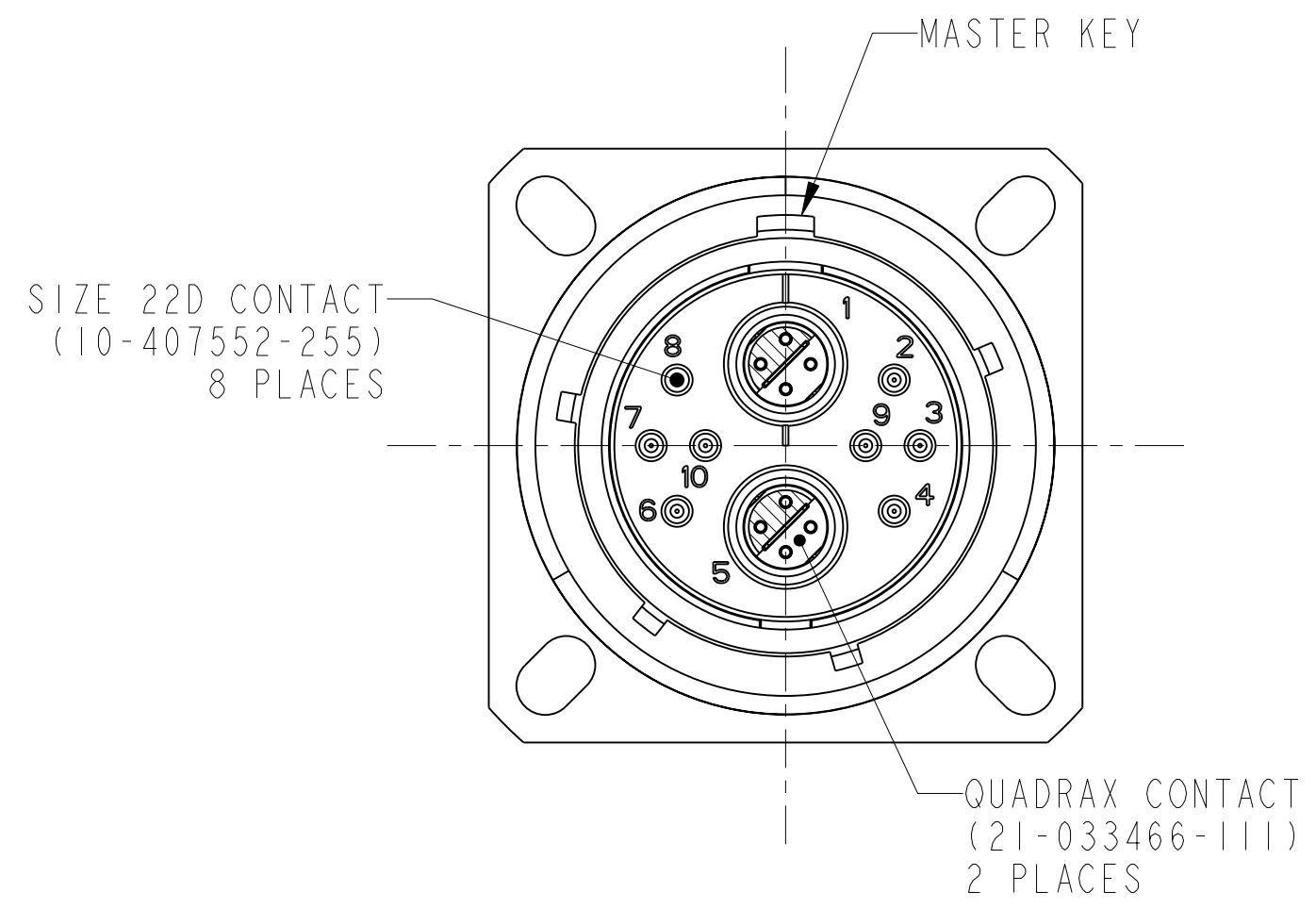
CONTACT TAIL TABLE

DESCRIPTION	A
QUADRAX INNER TAIL	$\varnothing .019 \pm .002$
QUADRAX OUTER TAIL	$.021 + .002 / - .001$ $X .021 \pm .003$
22D TAIL	$\varnothing .019 \pm .001$

KIT PART NUMBER	KIT TYPE	CONNECTOR PART NUMBER	CODED CONNECTOR PART NUMBER STYLE REF
10-646402-204N	11	F7-6461M5-60PL	TVP00QDT-17-60P (LC)
10-646402-204A		F7-6461M5-60GL	TVP00QDT-17-60PA(LC)
10-646402-204B		F7-6461M5-60IL	TVP00QDT-17-60PB(LC)
10-646402-204C		F7-6461M5-60KL	TVP00QDT-17-60PC(LC)
10-646402-204D		F7-6461M5-60ML	TVP00QDT-17-60PD(LC)
10-646402-204E		F7-6461M5-60RL	TVP00QDT-17-60PE(LC)

ALTERNATE SHELL ROTATION

CONNECTOR EXCEPT LESS STAMPING



Searchdatasheet.com

FOR UNIT ILLUSTRATION AND DIMENSIONAL DATA, SEE F7-6461M0/1M9 DOCUMENT

NOTES: SEE SHEET 2

THE USE OF THIS DOCUMENT IS UNLIMITED. HOWEVER, DOCUMENTS REFERENCED HEREON MAY CONTAIN LIMITED RIGHTS DATA.

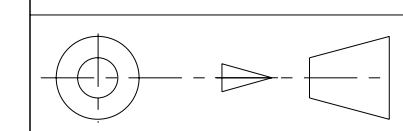
RELEASED / Feb . 04 2015, 9:42:36 AM

N/A NEXT ASSEMBLY

PRO/ENGINEER INFORMATION
Pro/e Model Used:
10-646402-204X.ASSEM
Drawing Name:
10-646402-204X

UNLESS OTHERWISE SPECIFIED	SPECIFICATIONS
LINEAR DIMENSIONS ARE IN INCHES TOLERANCES: .XXXX = $\pm .0005$ ANGLES = $\pm 2^\circ$.XXX = $\pm .010$.XX = $\pm .03$.X = $\pm .1$	MATERIAL SPEC. N/A
DIM. & TOL. PER ASME Y14.5M; DRM PER MIL-DTL-31000; OTHER Amphenol Stds. PER 9-3800	PROCESS SPEC. SEE NOTE 3
LEGENDS: = FLAG NOTE CALL OUT REFERENCE ONLY	

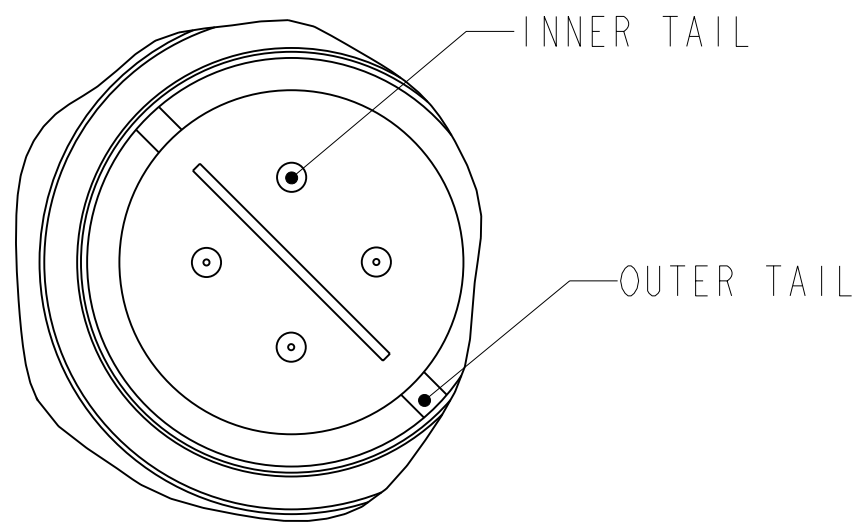
POS	QTY	PART NUMBER	DESCRIPTION	NOTE
PARTS LIST				
AMPHENOL CORPORATION 40-60 DELAWARE AVENUE SIDNEY, N.Y. 13858				
CONNECTOR, ELECTRICAL, RECEPTACLE, TYPE TVP00QDT-17-60P QUADRAX CONTACT				
SIZE C	CAGE CODE 77820	DOCUMENT NO. 10-646402-204X	REV. A	
SCALE: 2.5		REF 10-628485-976X	SHEET 1 OF 3	



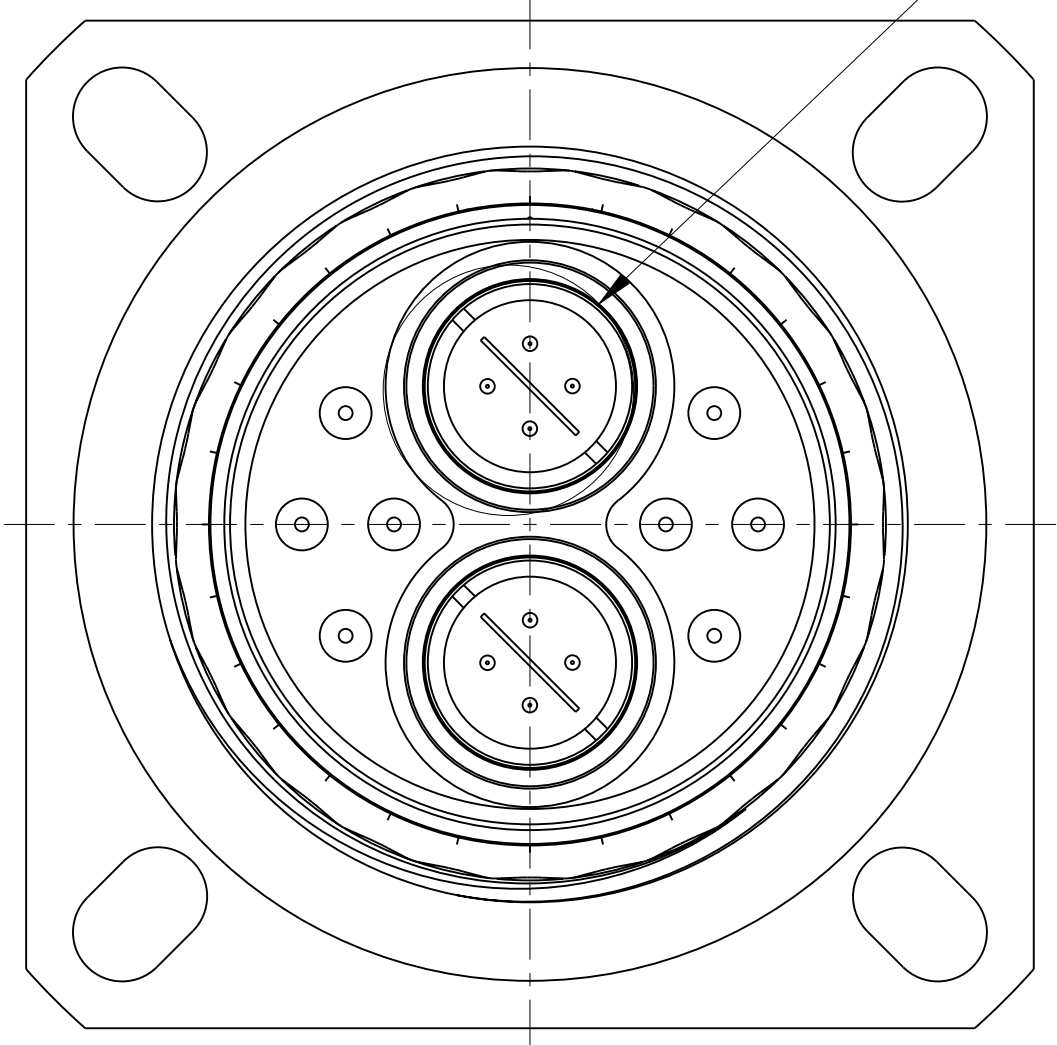
10-646402-204X DOCUMENT NO. SHEET 1 OF 3 REV. A

10-646402-204X DOCUMENT NO. SHEET 1 OF 3 REV. A

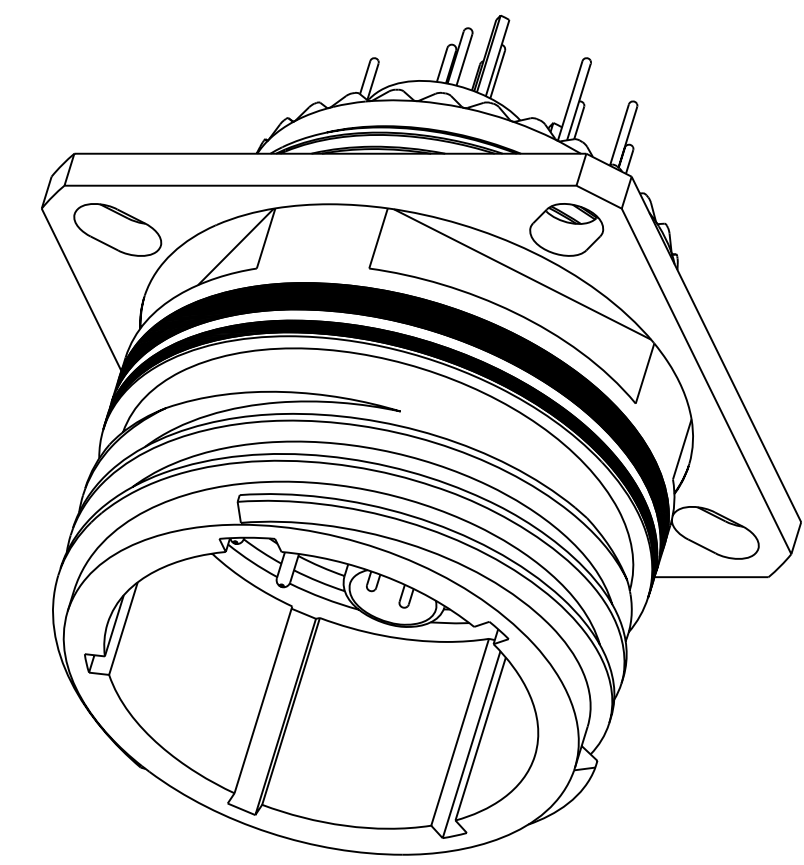
10-646402-204X SHEET 2 OF 3 REV. A



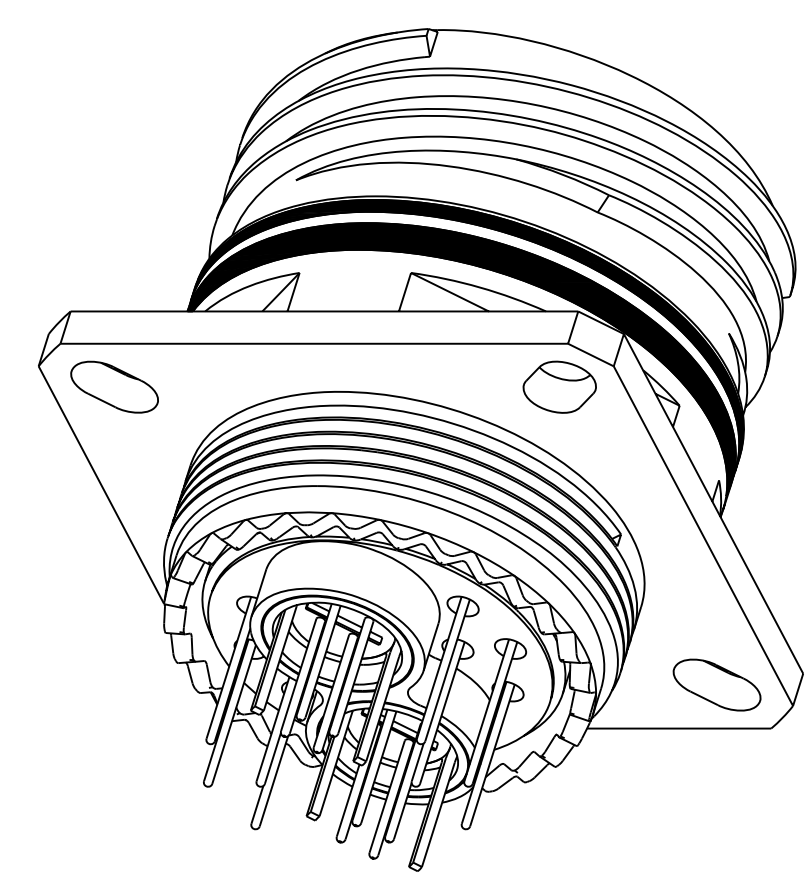
DETAIL A
SCALE 8.000



VIEW AT RR
SCALE 4.000



FRONT ISOMETRIC VIEW



REAR ISOMETRIC VIEW

5. SEE WORK ORDER FOR PERMISSIBLE ADDITIONAL OR ALTERNATE STAMPING
4. STAMP "AMPHENOL", KIT PART NUMBER, DATE CODE (9-3895), AND LOT NUMBER PER 9-5788.
EXAMPLE:
AMPHENOL 10-646402-204B 1505 15001000
3. PROCESS SPEC:
9-3895, 9-5788
2. PACKAGE PER PRODUCTION PROCESS SHEET. UTILIZE FOAM PADDING TO CUSHION & PROTECT PC TAILS DURING SHIPPING & HANDLING.
1. KIT TYPE I: CONTACTS AND INSULATORS, IF PRESENT, ARE SHIPPED UNASSEMBLED.
KIT TYPE II: CONTACTS AND INSULATORS, IF PRESENT, ARE SHIPPED ASSEMBLED IN THE CONNECTOR.

NOTES:

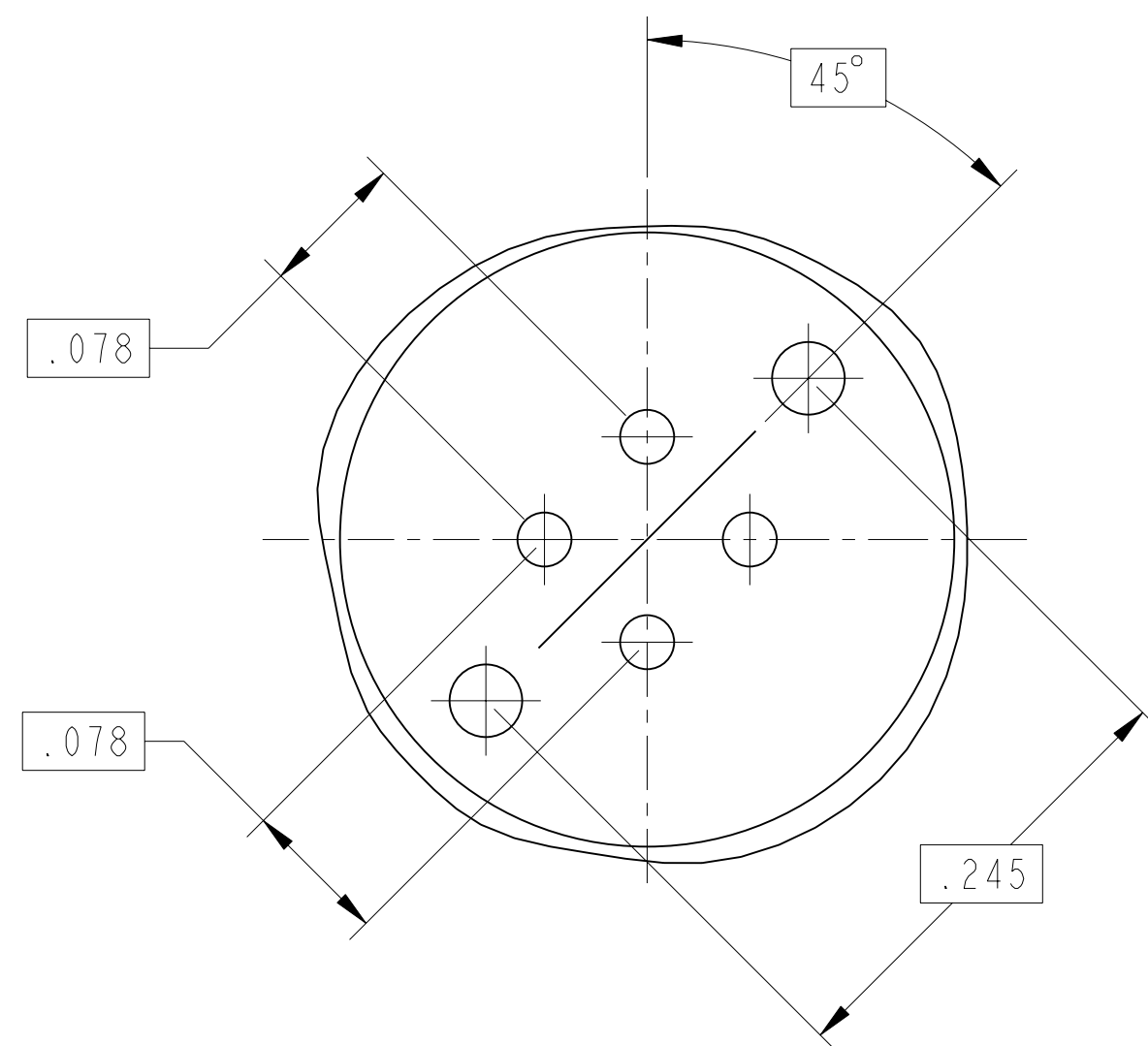
THE USE OF THIS DOCUMENT IS UNLIMITED. HOWEVER, DOCUMENTS REFERENCED HEREON MAY CONTAIN LIMITED RIGHTS DATA.

RELEASED / Feb . 04 2015, 9:42:36 AM

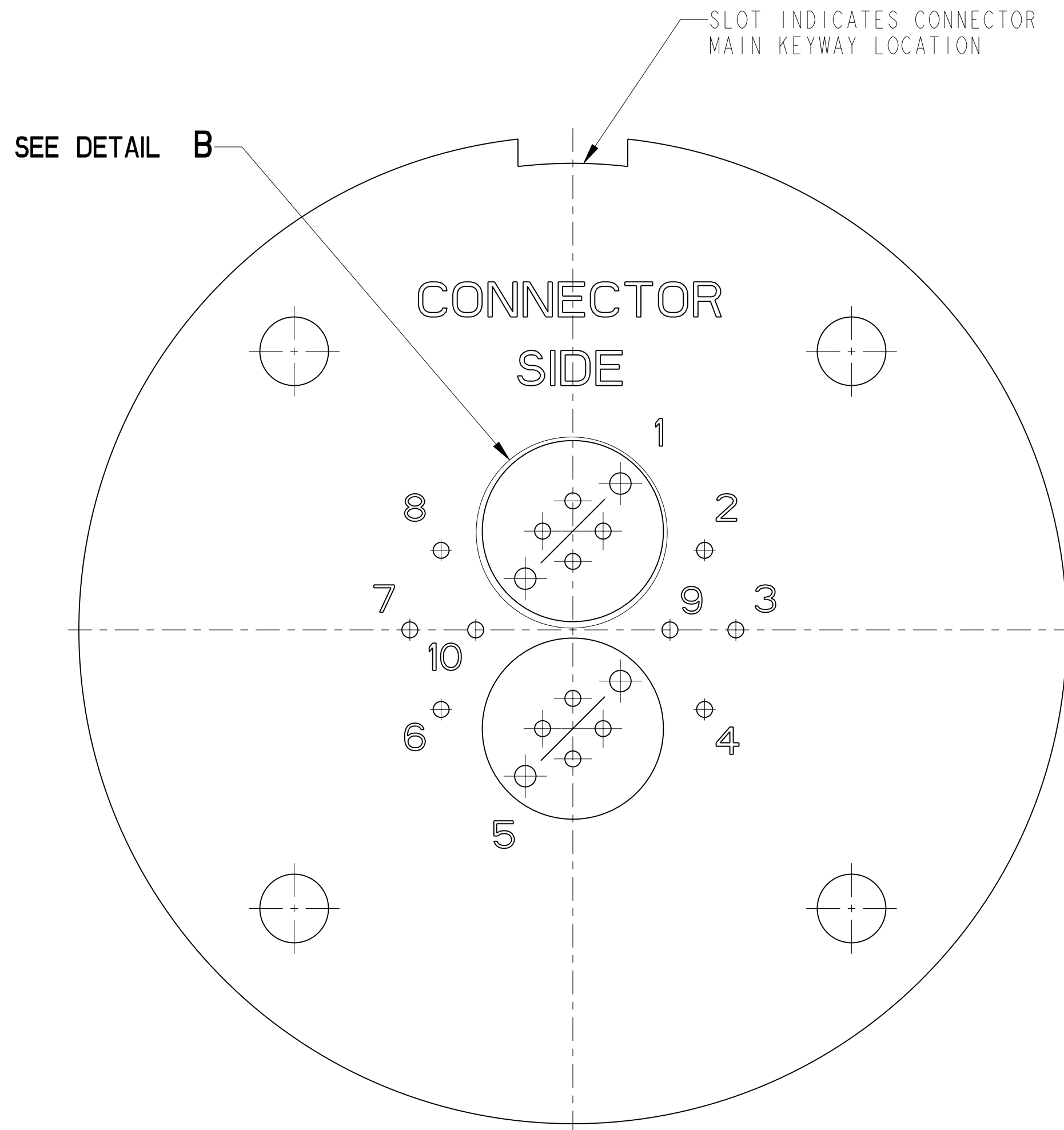
SIZE C	CAGE CODE 77820	DOCUMENT NO. 10-646402-204X	REV. A
SCALE: 2.0		REF: 10-628485-976X	SHEET 2 OF 3

DOCUMENT NO. 10-646402-204X
 SHEET 2 OF 3
 REV. A
 Eng. PDM Information For Reference Only
 REVISION A
 VERSION 4

THIS SHEET IS FOR CUSTOMER USE ONLY



DETAIL B
SCALE 10.000



SUGGESTED PCB HOLE LOCATIONS
(SEE LQ-21816-60 FOR CAVITY ϕ LOCATIONS)
SCALE 5.000

NOTES: SEE SHEET 2

THE USE OF THIS DOCUMENT IS UNLIMITED.
HOWEVER, DOCUMENTS REFERENCED HEREON
MAY CONTAIN LIMITED RIGHTS DATA.

RELEASED / Feb . 04 2015, 9:42:36 AM

DOCUMENT NO. 10-646402-204X

SHEET 3 OF 3

REV. A

SIZE C	CAGE CODE 77820	DOCUMENT NO. 10-646402-204X	REV. A
SCALE: 2.0		REF: 10-628485-976X	SHEET 3 OF 3

DOCUMENT NO. 10-646402-204X

SHEET 3 OF 3

REV. A

D

C

4

A

Eng. PDM Information For Reference Only

REV. A

SHEET 3 OF 3

DOCUMENT NO. 10-646402-204X

FORMAT: C-0-E-1