

# NE/SA/SE532/ LM158/258/358/A/2904

## Low Power Dual Operational Amplifiers

### Product Specification

#### DESCRIPTION

The 532/358/LM2904 consists of two independent, high gain, internally frequency-compensated operational amplifiers designed specifically to operate from a single power supply over a wide range of voltages. Operation from dual power supplies is also possible, and the low power supply current drain is independent of the magnitude of the power supply voltage.

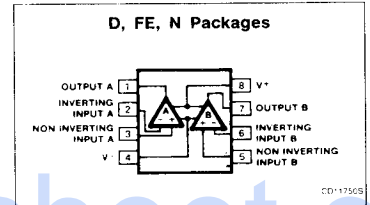
#### UNIQUE FEATURES

In the linear mode the input common-mode voltage range includes ground and the output voltage can also swing to includes ground and the output voltage can also swing to ground, even though operated from only a single power supply voltage. The unity gain cross frequency is temperature-compensated. The input bias current is also temperature-compensated.

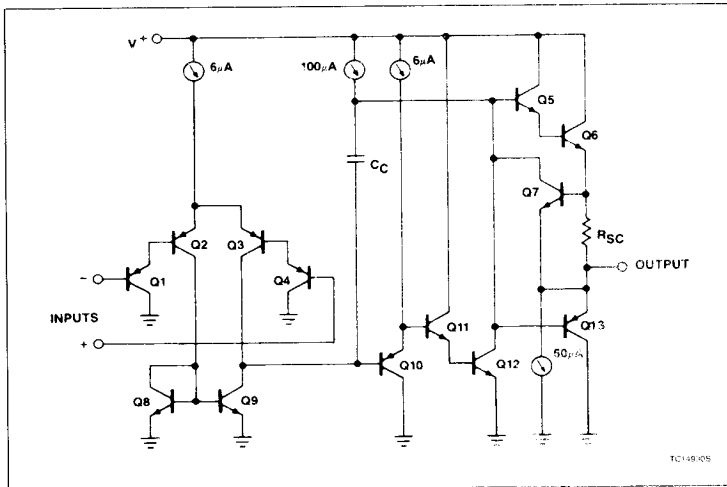
#### FEATURES

- Internally frequency-compensated for unity gain
- Large DC voltage gain — 100dB
- Wide bandwidth (unity gain) — 1MHz (temperature-compensated)
- Wide power supply range single supply —  $3V_{DC}$  to  $30V_{DC}$  or dual supplies —  $\pm 1.5V_{DC}$  to  $\pm 15V_{DC}$
- Very low supply current drain ( $400\mu A$ ) — essentially independent of supply voltage (1mW/op amp at  $+5V_{DC}$ )
- Low input biasing current —  $45nA_{DC}$  temperature-compensated
- Low input offset voltage —  $2mV_{DC}$  and offset current —  $5nA_{DC}$
- Differential input voltage range equal to the power supply voltage
- Large output voltage —  $0V_{DC}$  to  $V+ 1.5V_{DC}$  swing

#### PIN CONFIGURATIONS



#### EQUIVALENT CIRCUIT



## Low Power Dual Operational Amplifiers

NE/SA/SE532/  
LM158/258/358/A/2904

## ORDERING INFORMATION

DESCRIPTION	TEMPERATURE RANGE	ORDER CODE
8-Pin Plastic SO	0 to +70°C	NE532D
8-Pin Plastic DIP	0 to +70°C	NE532N
8-Pin Ceramic DIP	0 to +70°C	NE532FE
8-Pin Plastic SO	-40°C to +85°C	SA532D
8-Pin Plastic DIP	-40°C to +85°C	SA532N
8-Pin Ceramic DIP	-40°C to +85°C	SA532FE
8-Pin Plastic SO	-40°C to +85°C	LM2904D
8-Pin Plastic DIP	-40°C to +85°C	LM2904N
8-Pin Ceramic DIP	-55°C to +125°C	LM158FE
8-Pin Plastic DIP	-25°C to +85°C	LM258N
8-Pin Plastic SO	-25°C to +85°C	LM258D
8-Pin Plastic SO	0 to +70°C	LM358D
8-Pin Plastic DIP	0 to +70°C	LM358N
8-Pin Plastic DIP	0 to +70°C	LM358AN
8-Pin Plastic SO	0 to +70°C	LM358AD
8-Pin Plastic DIP	-55°C to +125°C	SE532N
8-Pin Ceramic DIP	-55°C to +125°C	SE532FE

## ABSOLUTE MAXIMUM RATINGS

SYMBOL	PARAMETER	RATING	UNIT
$V_S$	Supply voltage, V+	32 or $\pm 16$	$V_{DC}$
	Differential input voltage	32	$V_{DC}$
$V_{IN}$	Input voltage	-0.3 to +32	$V_{DC}$
$P_D$	Maximum power dissipation $T_A = 25^\circ\text{C}$ (Still air) <sup>1</sup> FE package N package D package	780 1160 780	mW mW mW
	Output short-circuit to GND <sup>5</sup> $V_+ < 15 V_{DC}$ and $T_A = 25^\circ\text{C}$	Continuous	
$T_A$	Operating ambient temperature range NE532/LM358/LM358A LM258 SA532/LM2904 SE532/LM158	0 to +70 -25 to +85 -40 to +85 -55 to +125	$^\circ\text{C}$ $^\circ\text{C}$ $^\circ\text{C}$ $^\circ\text{C}$
$T_{STG}$	Storage temperature range	-65 to +150	$^\circ\text{C}$
$T_{SOLD}$	Lead soldering temperature (10sec max)	300	$^\circ\text{C}$

## NOTE:

- Derate above 25°C, at the following rates:  
FE package at 6.2mW/ $^\circ\text{C}$   
N package at 9.3mW/ $^\circ\text{C}$   
D package at 6.2mW/ $^\circ\text{C}$

## Low Power Dual Operational Amplifiers

NE/SA/SE532/  
LM158/258/358/A/2904DC ELECTRICAL CHARACTERISTICS  $T_A = 25^\circ\text{C}$ ,  $V_+ = +5\text{V}$ , unless otherwise specified.

SYMBOL	PARAMETER	TEST CONDITIONS	SE532, LM158/258			NE/SA532/LM358/ LM2904			UNIT
			Min	Typ	Max	Min	Typ	Max	
$V_{OS}$	Offset voltage <sup>1</sup>	$R_S = 0\Omega$ $R_S = 0\Omega$ , over temp.		$\pm 2$	$\pm 5$ $\pm 7$		$\pm 2$	$\pm 7$ $\pm 9$	mV mV
$V_{OS}$	Drift	$R_S = 0\Omega$ , over temp.		7			7		$\mu\text{V}/^\circ\text{C}$
$I_{OS}$	Offset current	$I_{IN}(+) - I_{IN}(-)$ Over temp.		$\pm 3$	$\pm 30$ $\pm 100$		$\pm 5$	$\pm 50$ $\pm 150$	nA nA
$I_{OS}$	Drift	Over temp.		10			10		$\text{pA}/^\circ\text{C}$
$I_{BIAS}$	Input current <sup>2</sup>	$I_{IN}(+)$ or $I_{IN}(-)$ Over temp., $I_{IN}(+)$ or $I_{IN}(-)$		45 40	150 300		45 40	250 500	nA nA
$I_B$	Drift	Over temp.		50			50		$\text{pA}/^\circ\text{C}$
$V_{CM}$	Common-mode voltage range <sup>3</sup>	$V_+ = 30\text{V}$ Over temp., $V_+ = 30\text{V}$	0 0		$V_+ - 1.5$ $V_+ - 2.0$	0 0		$V_+ - 1.5$ $V_+ - 2.0$	V V
CMRR	Common-mode rejection ratio	$V_+ = 30\text{V}$	70	85		65	70		dB
$V_{OH}$	Output voltage swing	$R_L \geq 2\text{k}\Omega$ , $V_+ = 30\text{V}$ , over temp. $R_L \geq 10\text{k}\Omega$ , $V_+ = 30\text{V}$ , over temp.	26 27			26 27	28		V V
$V_{OL}$	Output voltage swing	$R_L \geq 10\text{k}\Omega$ , over temp.		5	20		5	20	mV
$I_{CC}$	Supply current	$R_L = \infty$ , $V_+ = 30\text{V}$ $R_L = \infty$ on all amplifiers, over temp., $V_+ = 30\text{V}$		0.5 0.6	1.0 1.2		0.5 0.6	1.0 1.2	mA mA
$A_{VOL}$	Large-signal voltage gain	$R_L \geq 2\text{k}\Omega$ , $V_{OUT} \pm 10\text{V}$ , $V_+ = 15\text{V}$ (for large $V_O$ swing) over temp.	50 25	100		25 15	100		V/mV V/mV
PSRR	Supply voltage rejection ratio	$R_S = 0\Omega$	65	100		65	100		dB
	Amplifier-to-amplifier coupling <sup>4</sup>	$f = 1\text{kHz}$ to $20\text{kHz}$ (input referred)		-120			-120		dB
$I_{OUT}$	Output current Source	$V_{IN+} = +1V_{DC}$ , $V_{IN-} = 0V_{DC}$ , $V_+ = 15V_{DC}$ $V_{IN+} = +1V_{DC}$ , $V_{IN-} = 0V_{DC}$ , $V_+ = 15V_{DC}$ , over temp.	20 10	40 20		20 10	40 20		mA mA
	Sink	$V_{IN-} = +1V_{DC}$ , $V_{IN+} = 0V_{DC}$ , $V_+ = 15V_{DC}$ $V_{IN-} = +1V_{DC}$ , $V_{IN+} = 0V_{DC}$ , $V_+ = 15V_{DC}$ , over temp. $V_{IN+} = 0\text{V}$ , $V_{IN-} = +1V_{DC}$ , $V_O = 200\text{mV}$	10 5 12	20 8 50		10 5 12	20 8 50		mA mA $\mu\text{A}$
$I_{SC}$	Short circuit current <sup>5</sup>			40	60		40	60	mA
	Differential input voltage <sup>6</sup>				$V_+$			$V_+$	V
GBW	Unity gain bandwidth	$T_A = 25^\circ\text{C}$		1			1		MHz
SR	Slew rate	$T_A = 25^\circ\text{C}$		0.3			0.3		$\text{V}/\mu\text{s}$
$V_{NOISE}$	Input noise voltage	$T_A = 25^\circ\text{C}$ , $f = 1\text{kHz}$		40			40		$\text{nV}/\sqrt{\text{Hz}}$

## Low Power Dual Operational Amplifiers

NE/SA/SE532/  
LM158/258/358/A/2904DC ELECTRICAL CHARACTERISTICS  $T_A = 25^\circ\text{C}$ ,  $V_+ = +5\text{V}$ , unless otherwise specified.

SYMBOL	PARAMETER	TEST CONDITIONS	LM358A			UNIT
			Min	Typ	Max	
$V_{OS}$	Offset voltage <sup>1</sup>	$R_S = 0\Omega$ $R_S = 0\Omega$ , over temp.		$\pm 2$	$\pm 3$ $\pm 5$	mV mV
$V_{OS}$	Drift	$R_S = 0\Omega$ , over temp.		7	20	$\mu\text{V}/^\circ\text{C}$
$I_{OS}$	Offset current	$I_{IN(+)} - I_{IN(-)}$ Over temp.		5	$\pm 30$ $\pm 75$	nA nA
$I_{OS}$	Drift	Over temp.		10	300	$\text{pA}/^\circ\text{C}$
$I_{BIAS}$	Input current <sup>2</sup>	$I_{IN(+)}$ or $I_{IN(-)}$ Over temp., $I_{IN(+)}$ or $I_{IN(-)}$		45 40	100 200	nA nA
$I_B$	Drift	Over temp.		50		$\text{pA}/^\circ\text{C}$
$V_{CM}$	Common-mode voltage range <sup>3</sup>	$V_+ = 30\text{V}$ Over temp., $V_+ = 30\text{V}$	0 0		$V_+ - 1.5$ $V_+ - 2.0$	V V
CMRR	Common-mode rejection ratio	$V_+ = 30\text{V}$	65	85		dB
$V_{OH}$	Output voltage swing	$R_L \geq 2\text{k}\Omega$ , $V_+ = 30\text{V}$ , over temp. $R_L \geq 10\text{k}\Omega$ , $V_+ = 30\text{V}$ , over temp.	26 27			V V
$V_{OL}$	Output voltage swing	$R_L \geq 10\text{k}\Omega$ , over temp.		5	20	mV
$I_{CC}$	Supply current	$R_L = \infty$ , $V_+ = 30\text{V}$ $R_L = \infty$ on all amplifiers, over temp., $V_+ = 30\text{V}$		0.5 0.6	1.0 1.2	mA mA
$A_{VOL}$	Large-signal voltage gain	$R_L \geq 2\text{k}\Omega$ , $V_{OUT} \pm 10\text{V}$ , $V_+ = 15\text{V}$ (for large $V_O$ swing) over temp.	25 15	100		V/mV V/mV
PSRR	Supply voltage rejection ratio	$R_S = 0\Omega$	65	100		dB
	Amplifier-to-amplifier coupling <sup>4</sup>	$f = 1\text{kHz}$ to $20\text{kHz}$ (input referred)		-120		dB
$I_{OUT}$	Output current	$V_{IN+} = +1V_{DC}$ , $V_{IN-} = 0V_{DC}$ , $V_+ = 15V_{DC}$	20	40		mA
	Source	$V_{IN+} = +1V_{DC}$ , $V_{IN-} = 0V_{DC}$ , $V_+ = 15V_{DC}$ , over temp.	10	20		mA
	Sink	$V_{IN-} = +1V_{DC}$ , $V_{IN+} = 0V_{DC}$ , $V_+ = 15V_{DC}$	10	20		mA
		$V_{IN-} = +1V_{DC}$ , $V_{IN+} = 0V_{DC}$ , $V_+ = 15V_{DC}$ , over temp.	5	8		mA
		$V_{IN+} = 0\text{V}$ , $V_{IN-} = +1V_{DC}$ , $V_O = 200\text{mV}$	12	50		$\mu\text{A}$

## Low Power Dual Operational Amplifiers

NE/SA/SE532/  
LM158/258/358/A/2904DC ELECTRICAL CHARACTERISTICS (Continued)  $T_A = 25^\circ\text{C}$ ,  $V_+ = +5\text{V}$ , unless otherwise specified.

SYMBOL	PARAMETER	TEST CONDITIONS	LM358A			UNIT
			Min	Typ	Max	
$I_{SC}$	Short circuit current <sup>5</sup>			40	60	mA
	Differential input voltage <sup>6</sup>				$V_+$	V
GBW	Unity gain bandwidth	$T_A = 25^\circ\text{C}$		1		MHz
SR	Slew rate	$T_A = 25^\circ\text{C}$		0.3		V/ $\mu\text{s}$
$V_{NOISE}$	Input noise voltage	$T_A = 25^\circ\text{C}$ , $f = 1\text{kHz}$		40		nV/ $\sqrt{\text{Hz}}$

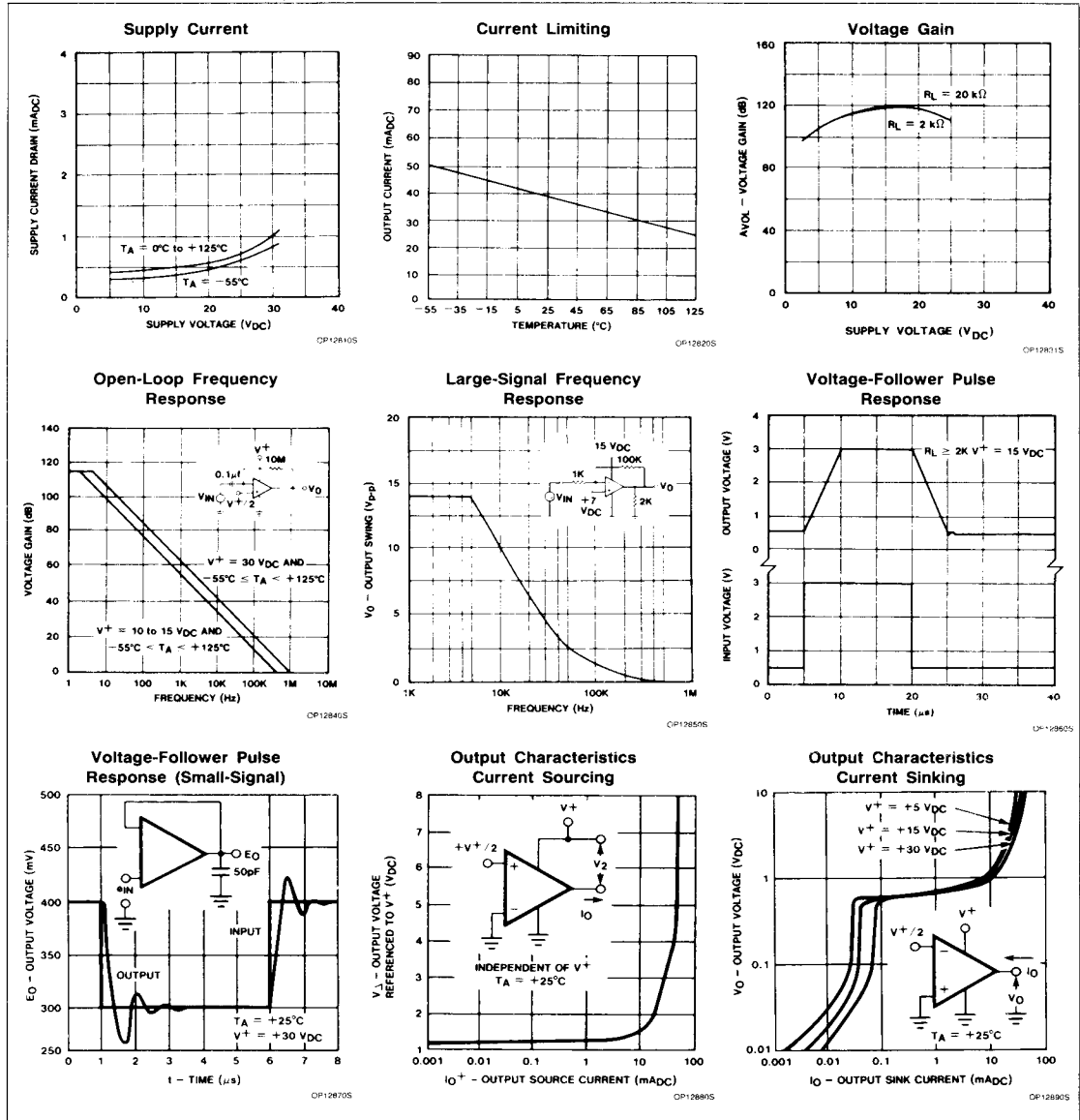
## NOTES:

- $V_O \cong 1.4\text{V}$ ,  $R_S = 0\Omega$  with  $V_+$  from 5V to 30V; and over the full input common-mode range (0V to  $V_+ - 1.5\text{V}$ ).
- The direction of the input current is out of the IC due to the PNP input stage. This current is essentially constant, independent of the state of the output so no loading change exists on the input lines.
- The input common-mode voltage or either input signal voltage should not be allowed to go negative by more than 0.3V. The upper end of the common-mode voltage range is  $V_+ - 1.5\text{V}$ , but either or both inputs can go to  $+32\text{V}$  without damage.
- Due to proximity of external components, insure that coupling is not originating via stray capacitance between these external parts. This typically can be detected as this type of capacitance coupling increases at higher frequencies.
- Short-circuits from the output to  $V_+$  can cause excessive heating and eventual destruction. The maximum output current is approximately 40mA independent of the magnitude of  $V_+$ . At values of supply voltage in excess of  $+15V_{DC}$ , continuous short-circuits can exceed the power dissipation ratings and cause eventual destruction.
- The input common-mode voltage or either input signal voltage should not be allowed to go negative by more than 0.3V. The upper end of the common-mode voltage range is  $V_+ - 1.5\text{V}$ , but either or both inputs can go to  $+32V_{DC}$  without damage.

# Low Power Dual Operational Amplifiers

NE/SA/SE532/  
LM158/258/358/A/2904

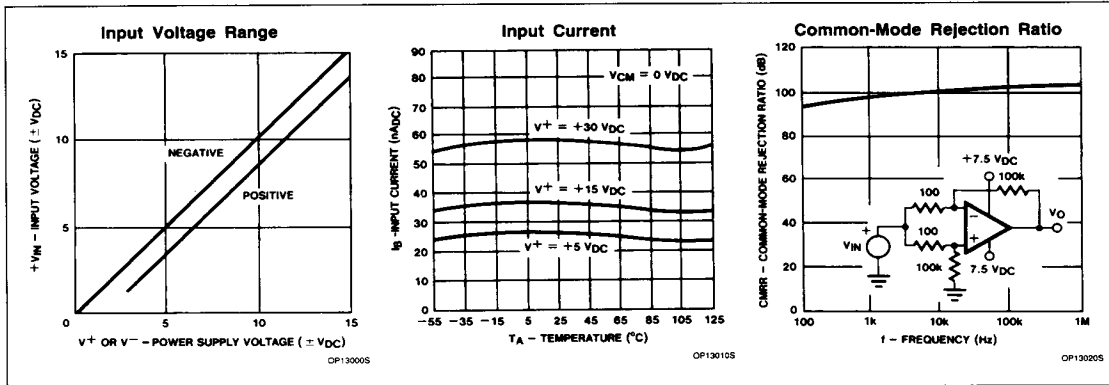
## TYPICAL PERFORMANCE CHARACTERISTICS



# Low Power Dual Operational Amplifiers

NE/SA/SE532/  
LM158/258/358/A/2904

## TYPICAL PERFORMANCE CHARACTERISTICS (Continued)



## TYPICAL APPLICATIONS

