



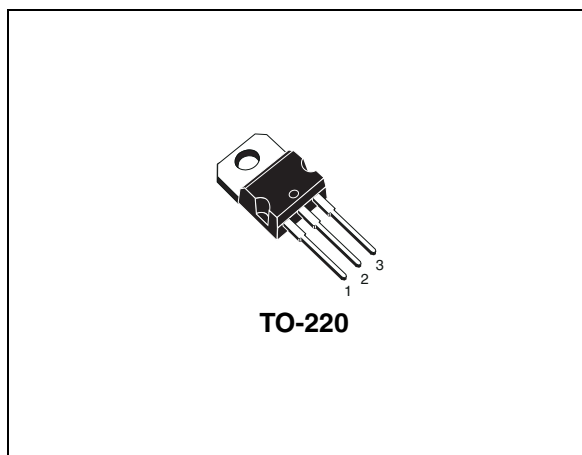
STGP19NC60SD

N-channel 600V - 20A - TO-220
Medium frequency PowerMESH™ IGBT

Features

Type	V _{CE(S)}	V _{CE(sat)} (typ)@150°C	I _C @100°C
STGP19NC60SD	600V	< 1.35V	20A

- Very low on-voltage drop (V_{CE(sat)})
- High input impedance (voltage driven)
- IGBT co-packaged with ultrafast freewheeling diode.
- Minimum power losses at 5 kHz in hard switching
- Optimized performance for medium operating frequencies.



Application

- Medium frequency motor control

Description

This IGBT utilizes the advanced PowerMESH™ process resulting in an excellent trade-off between switching performance and low on-state behavior.

Figure 1. Internal schematic diagram

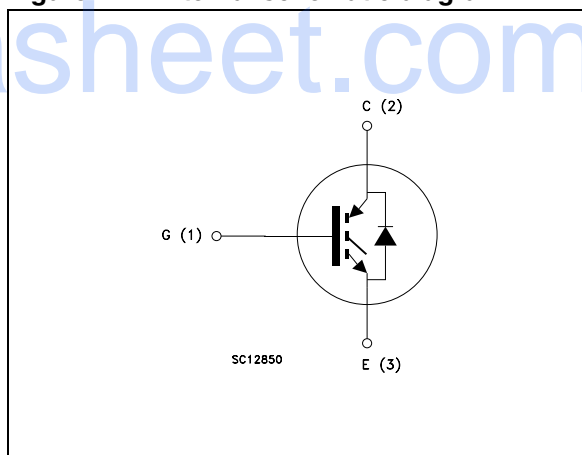


Table 1. Device summary

Order code	Marking	Package	Packaging
STGP19NC60SD	GP19NC60SD	TO-220	Tube

Contents

1	Electrical ratings	3
2	Electrical characteristics	4
	2.1 Electrical characteristics (curves)	6
3	Test circuit	9
4	Package mechanical data	10
5	Revision history	12

1 Electrical ratings

Table 1. Absolute maximum ratings

Symbol	Parameter	Value	Unit
V_{CES}	Collector-emitter voltage ($V_{GS} = 0$)	600	V
$I_C^{(1)}$	Collector current (continuous) at $T_C = 25^\circ\text{C}$	50	A
$I_C^{(1)}$	Collector current (continuous) at $T_C = 100^\circ\text{C}$	20	A
$I_{CP}^{(2)}$	Pulsed collector current	80	A
I_F	Diode RMS forward current at $T_C = 25^\circ\text{C}$	20	A
I_{FSM}	Surge non repetitive forward current $t_p = 10\text{ms}$ sinusoidal	50	A
V_{GE}	Gate-emitter voltage	± 20	V
P_{TOT}	Total dissipation at $T_C = 25^\circ\text{C}$	125	W
T_j	Operating junction temperature	- 55 to 150	$^\circ\text{C}$

1. Calculated according to the iterative formula:

$$I_C(T_C) = \frac{T_{JMAX} - T_C}{R_{THJ-C} \times V_{CESAT(MAX)}(T_C, I_C)}$$

2. Pulsed: width limited by max junction temperature allowed

Table 2. Thermal resistance

Symbol	Parameter	Value	Unit
Rthj-case	Thermal resistance junction-case max IGBT	1	$^\circ\text{C}/\text{W}$
	Thermal resistance junction-case max DIODE	3.0	$^\circ\text{C}/\text{W}$
Rthj-amb	Thermal resistance junction-ambient max	62.5	$^\circ\text{C}/\text{W}$

2 Electrical characteristics

($T_{CASE}=25^{\circ}C$ unless otherwise specified)

Table 3. Static

Symbol	Parameter	Test conditions	Min.	Typ.	Max.	Unit
$V_{BR(CES)}$	Collector-emitter breakdown voltage	$I_C = 1mA, V_{GE} = 0$	600			V
$V_{CE(sat)}$	Collector-emitter saturation voltage	$V_{GE} = 15V, I_C = 12A$		1.55	1.9	V
		$V_{GE} = 15V, I_C = 12A, T_C = 150^{\circ}C$		1.35		V
$V_{GE(th)}$	Gate threshold voltage	$V_{CE} = V_{GE}, I_C = 250 \mu A$	3.75		5.75	V
I_{CES}	Collector cut-off current ($V_{GE} = 0$)	$V_{CE} = \text{Max rating}, T_C = 25^{\circ}C$			150	μA
		$V_{CE} = \text{Max rating}, T_C = 150^{\circ}C$			1	mA
I_{GES}	Gate-emitter leakage current ($V_{CE} = 0$)	$V_{GE} = \pm 20V, V_{CE} = 0$			± 100	nA
g_{fs}	Forward transconductance	$V_{CE} = 15V, I_C = 12A$		10		S

Table 4. Dynamic

Symbol	Parameter	Test conditions	Min.	Typ.	Max.	Unit
C_{ies} C_{oes} C_{res}	Input capacitance	$V_{CE} = 25V, f = 1MHz,$ $V_{GE} = 0$		1190		pF
	Output capacitance			135		pF
	Reverse transfer capacitance			28.5		pF
Q_g Q_{ge} Q_{gc}	Total gate charge	$V_{CE} = 480V, I_C = 12A,$		54.5		nC
	Gate-emitter charge	$V_{GE} = 15V,$		8.7		nC
	Gate-collector charge	Figure 18		25.8		nC

Table 5. Switching on/off (inductive load)

Symbol	Parameter	Test conditions	Min.	Typ.	Max.	Unit
$t_{d(on)}$	Turn-on delay time	$V_{CC} = 480V, I_C = 12A$		17.5		ns
t_r	Current rise time	$R_G = 10\Omega, V_{GE} = 15V,$		6.2		ns
$(di/dt)_{on}$	Turn-on current slope	<i>Figure 19</i>		1870		A/ μ s
$t_{d(on)}$	Turn-on delay time	$V_{CC} = 480V, I_C = 12A$		17		ns
t_r	Current rise time	$R_G = 10\Omega, V_{GE} = 15V,$		6.5		ns
$(di/dt)_{on}$	Turn-on current slope	$T_j = 125^\circ C$ <i>Figure 19</i>		1700		A/ μ s
$t_{r(Voff)}$	Off voltage rise time	$V_{CC} = 480V, I_C = 12A$		90		ns
$t_{d(Voff)}$	Turn-off delay time	$R_G = 10\Omega, V_{GE} = 15V,$		175		ns
t_f	Current fall time	<i>Figure 19</i>		215		ns
$t_{r(Voff)}$	Off voltage rise time	$V_{CC} = 480V, I_C = 12A$		155		ns
$t_{d(Voff)}$	Turn-off delay time	$R_G = 10\Omega, V_{GE} = 15V,$		245		ns
t_f	Current fall time	$T_j = 125^\circ C$ <i>Figure 19</i>		290		ns

Table 6. Switching energy (inductive load)

Symbol	Parameter	Test conditions	Min.	Typ.	Max.	Unit
E_{on}	Turn-on switching losses	$V_{CC} = 480V, I_C = 12A$		135		μ J
$E_{off}^{(1)}$	Turn-off switching losses	$R_G = 10\Omega, V_{GE} = 15V,$		815		μ J
E_{ts}	Total switching losses	<i>Figure 17</i>		995		μ J
E_{on}	Turn-on switching losses	$V_{CC} = 480V, I_C = 12A$		200		μ J
$E_{off}^{(1)}$	Turn-off switching losses	$R_G = 10\Omega, V_{GE} = 15V,$		1175		μ J
E_{ts}	Total switching losses	$T_j = 125^\circ C$ <i>Figure 17</i>		1375		μ J

1. Turn-off losses include also the tail of the collector current

Table 7. Collector-emitter diode

Symbol	Parameter	Test conditions	Min.	Typ.	Max.	Unit
V_f	Forward on-voltage	$I_f = 12A$ $I_f = 12A, T_j = 125^\circ C$		2.3 2.0		V V
t_{rr}	Reverse recovery time	$I_f = 12A, V_R = 40V,$		31		ns
Q_{rr}	Reverse recovery charge	$T_j = 25^\circ C, di/dt = 100 A/\mu s$		29.5		nC
I_{rrm}	Reverse recovery current	<i>Figure 20</i>		1.9		A
t_{rr}	Reverse recovery time	$I_f = 12A, V_R = 40V,$		48.5		ns
Q_{rr}	Reverse recovery charge	$T_j = 125^\circ C, di/dt = 100A/\mu s$		70.5		nC
I_{rrm}	Reverse recovery current	<i>Figure 20</i>		3		A

2.1 Electrical characteristics (curves)

Figure 1. Output characteristics

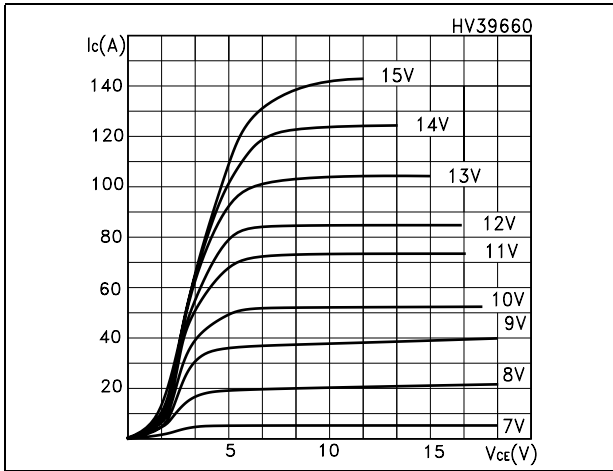


Figure 2. Transfer characteristics

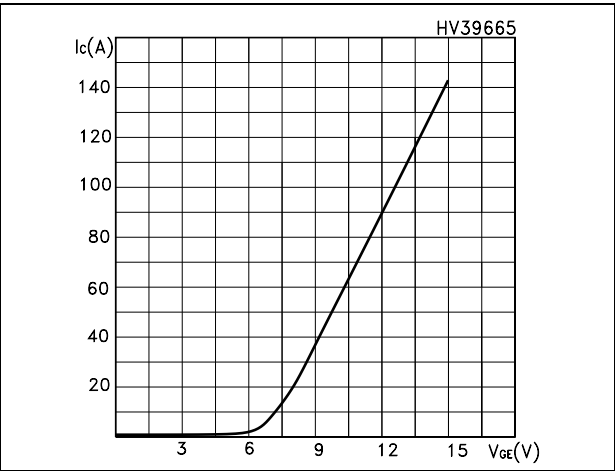


Figure 3. Transconductance

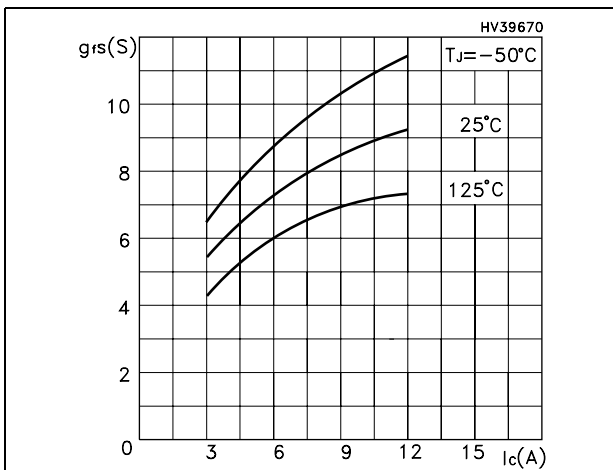


Figure 4. Collector-emitter on voltage vs temperature

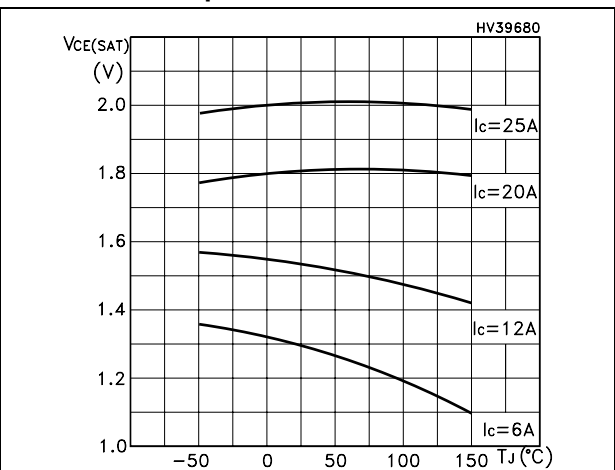


Figure 5. Gate charge vs gate-source voltage

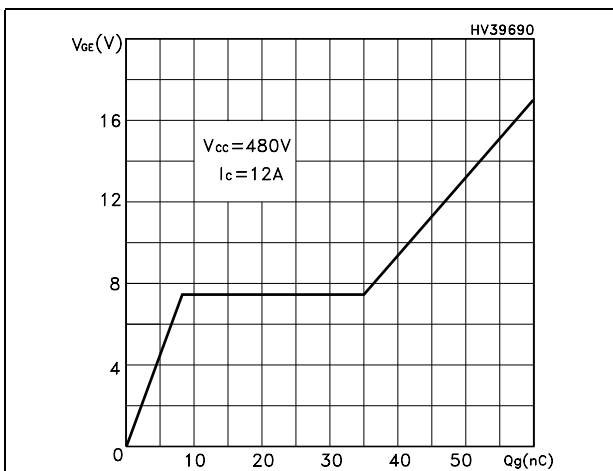


Figure 6. Capacitance variations

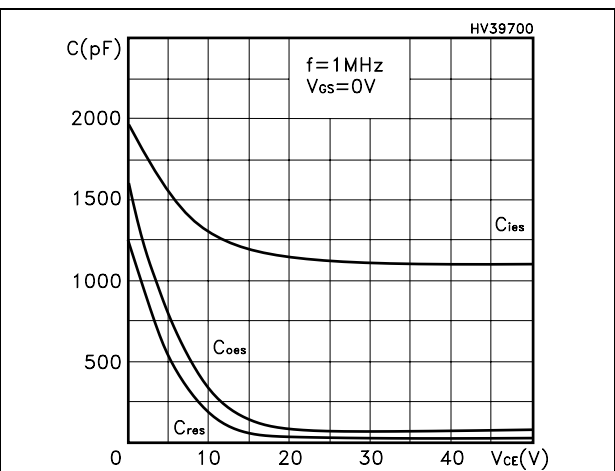


Figure 7. Normalized gate threshold voltage vs temperature

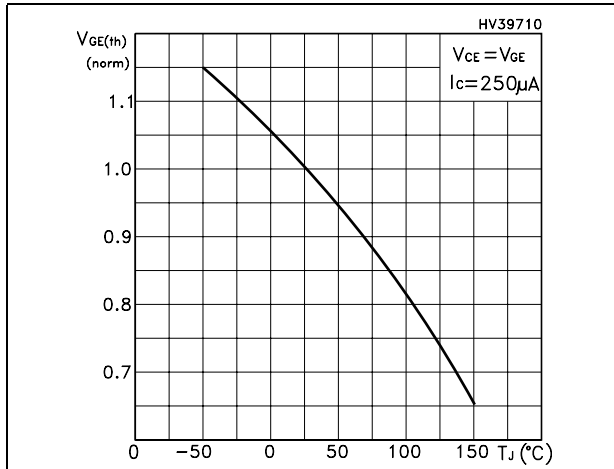


Figure 8. Collector-emitter on voltage vs collector current

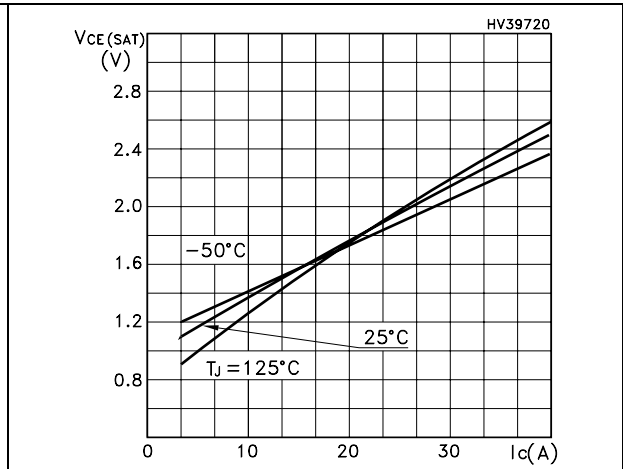


Figure 9. Normalized breakdown voltage vs temperature

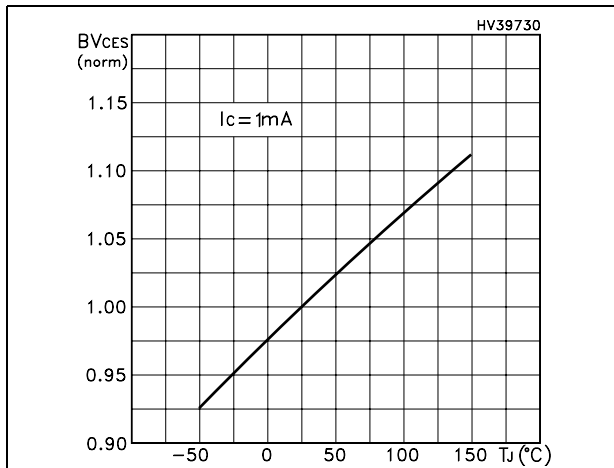


Figure 10. Switching losses vs temperature

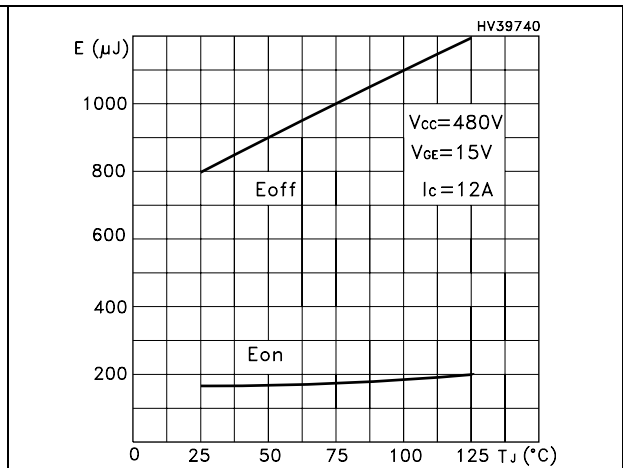


Figure 11. Switching losses vs gate resistance

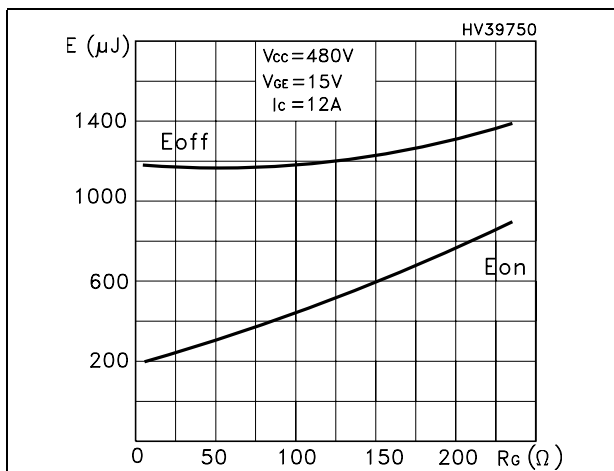


Figure 12. Switching losses vs collector current

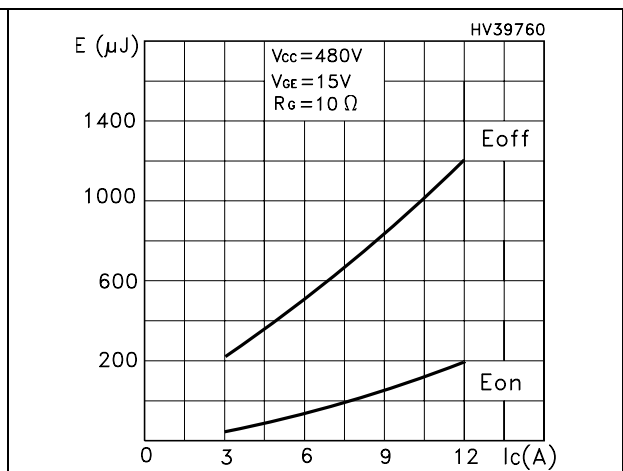


Figure 13. Turn-off SOA

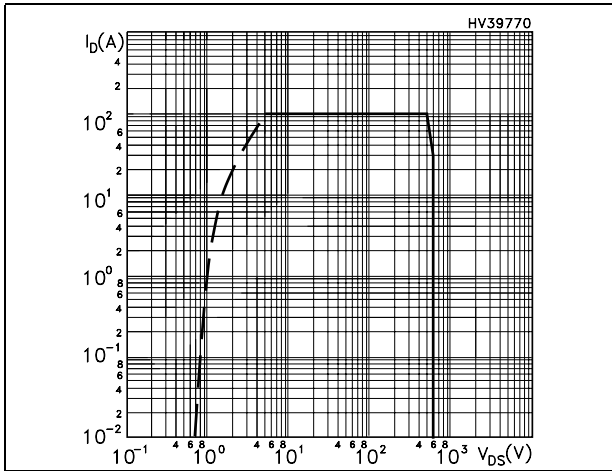


Figure 14. Forward voltage drop versus forward current

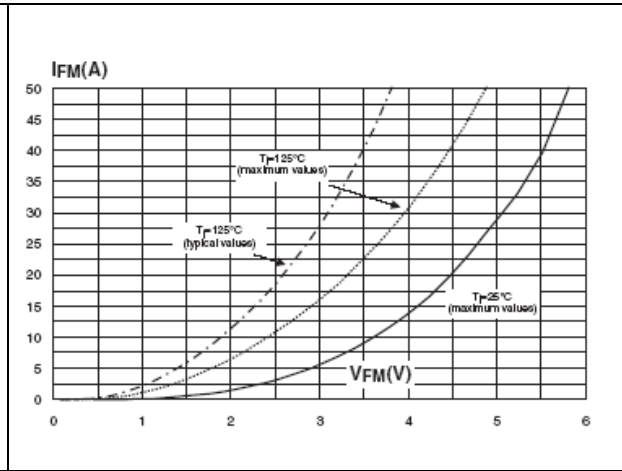


Figure 15. Thermal impedance

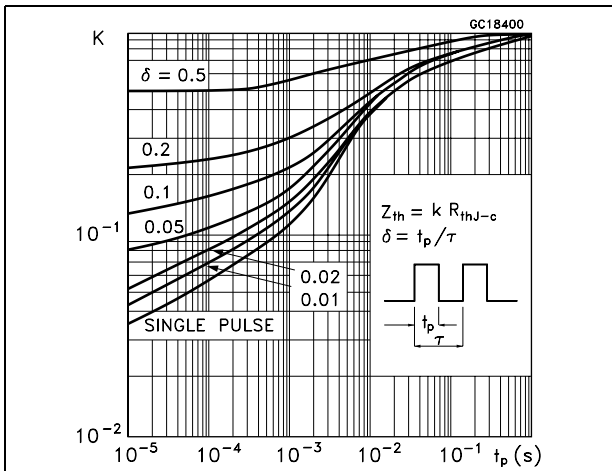
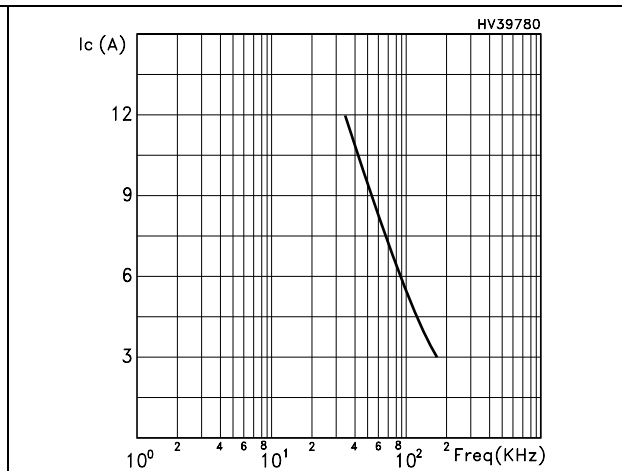


Figure 16. Ic vs. frequency



2.2 Frequency applications

For a fast IGBT suitable for high frequency applications, the typical collector current vs. maximum operating frequency curve is reported. That frequency is defined as follows:

$$f_{MAX} = (P_D - P_C) / (E_{ON} + E_{OFF})$$

- The maximum power dissipation is limited by maximum junction to case thermal resistance:

Equation 1

$$P_D = \Delta T / R_{THJ-C}$$

considering $\Delta T = T_J - T_C = 125\text{ °C} - 75\text{ °C} = 50\text{ °C}$

- The conduction losses are:

Equation 2

$$P_C = I_C * V_{CE(SAT)} * \delta$$

with 50% of duty cycle, V_{CESAT} typical value @ 125°C.

- Power dissipation during ON & OFF commutations is due to the switching frequency:

Equation 3

$$P_{SW} = (E_{ON} + E_{OFF}) * \text{freq.}$$

Typical values @ 125°C for switching losses are used (test conditions: $V_{CE} = 480\text{V}$, $V_{GE} = 15\text{V}$, $R_G = 10\text{ Ohm}$). Furthermore, diode recovery energy is included in the E_{ON} (see [Note 1](#)), while the tail of the collector current is included in the E_{OFF} measurements.

3 Test circuit

Figure 17. Test circuit for inductive load switching

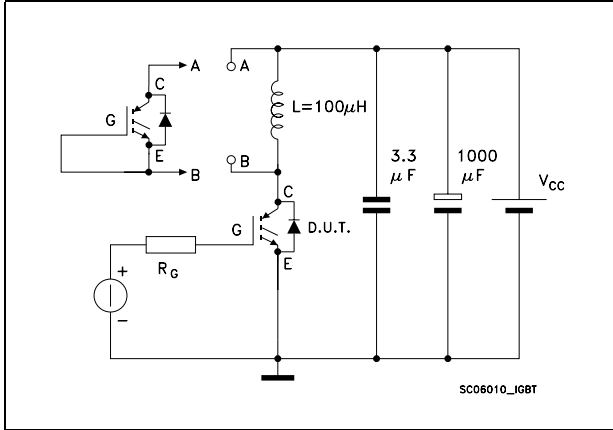


Figure 18. Gate charge test circuit

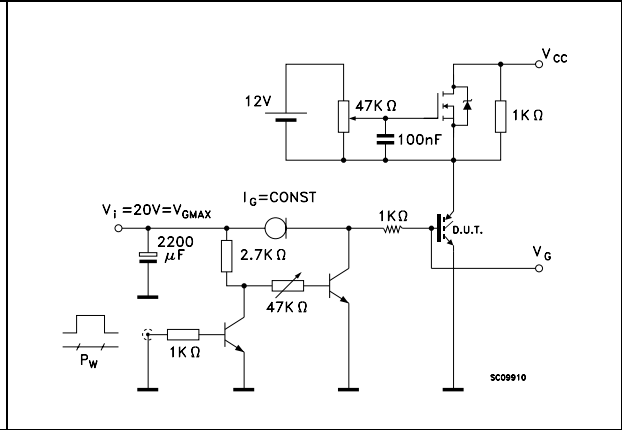


Figure 19. Switching waveform

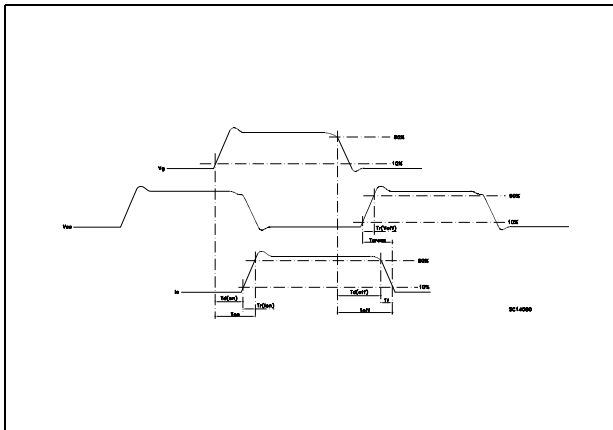
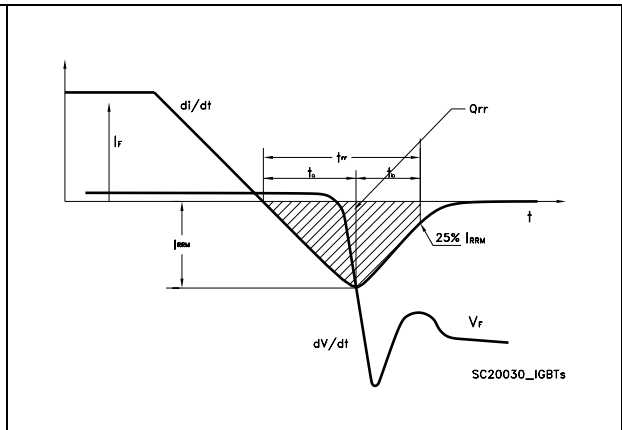


Figure 20. Diode recovery time waveform

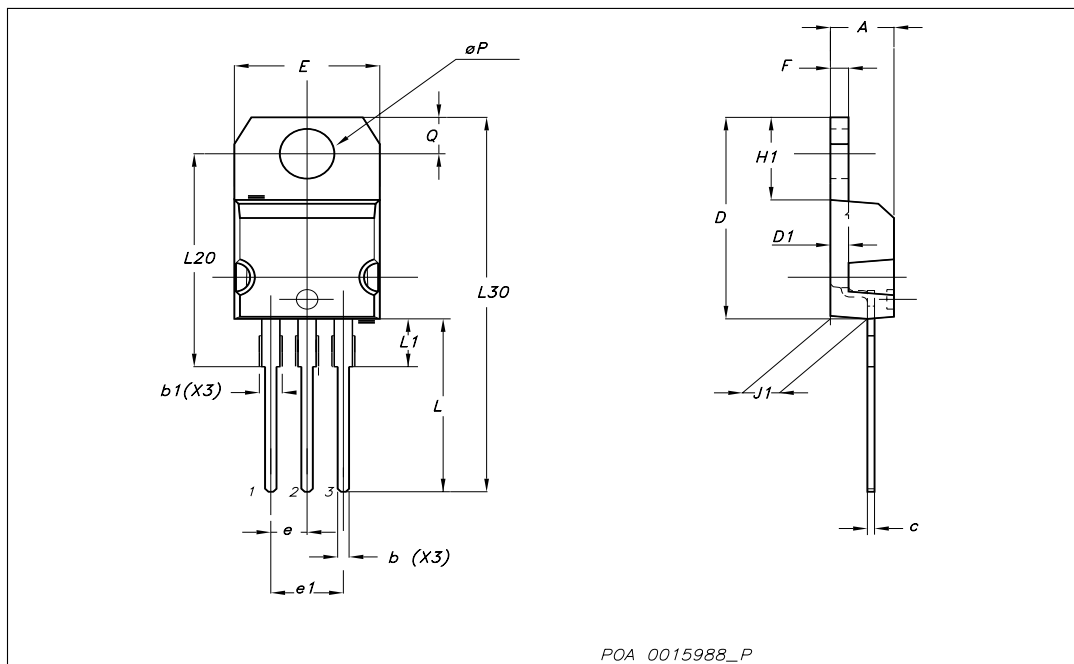


4 Package mechanical data

In order to meet environmental requirements, ST offers these devices in ECOPACK® packages. These packages have a Lead-free second level interconnect. The category of second level interconnect is marked on the package and on the inner box label, in compliance with JEDEC Standard JESD97. The maximum ratings related to soldering conditions are also marked on the inner box label. ECOPACK is an ST trademark. ECOPACK specifications are available at: www.st.com

TO-220 mechanical data

Dim	mm			inch		
	Min	Typ	Max	Min	Typ	Max
A	4.40		4.60	0.173		0.181
b	0.61		0.88	0.024		0.034
b1	1.14		1.70	0.044		0.066
c	0.49		0.70	0.019		0.027
D	15.25		15.75	0.6		0.62
D1		1.27			0.050	
E	10		10.40	0.393		0.409
e	2.40		2.70	0.094		0.106
e1	4.95		5.15	0.194		0.202
F	1.23		1.32	0.048		0.051
H1	6.20		6.60	0.244		0.256
J1	2.40		2.72	0.094		0.107
L	13		14	0.511		0.551
L1	3.50		3.93	0.137		0.154
L20		16.40			0.645	
L30		28.90			1.137	
∅P	3.75		3.85	0.147		0.151
Q	2.65		2.95	0.104		0.116



5 Revision history

Table 8. Document revision history

Date	Revision	Changes
02-Jul-2007	1	First release
13-Aug-2007	2	From target to preliminary version
18-Sep-2007	3	Added new section: <i>Electrical characteristics (curves)</i>

Please Read Carefully:

Information in this document is provided solely in connection with ST products. STMicroelectronics NV and its subsidiaries ("ST") reserve the right to make changes, corrections, modifications or improvements, to this document, and the products and services described herein at any time, without notice.

All ST products are sold pursuant to ST's terms and conditions of sale.

Purchasers are solely responsible for the choice, selection and use of the ST products and services described herein, and ST assumes no liability whatsoever relating to the choice, selection or use of the ST products and services described herein.

No license, express or implied, by estoppel or otherwise, to any intellectual property rights is granted under this document. If any part of this document refers to any third party products or services it shall not be deemed a license grant by ST for the use of such third party products or services, or any intellectual property contained therein or considered as a warranty covering the use in any manner whatsoever of such third party products or services or any intellectual property contained therein.

UNLESS OTHERWISE SET FORTH IN ST'S TERMS AND CONDITIONS OF SALE ST DISCLAIMS ANY EXPRESS OR IMPLIED WARRANTY WITH RESPECT TO THE USE AND/OR SALE OF ST PRODUCTS INCLUDING WITHOUT LIMITATION IMPLIED WARRANTIES OF MERCHANTABILITY, FITNESS FOR A PARTICULAR PURPOSE (AND THEIR EQUIVALENTS UNDER THE LAWS OF ANY JURISDICTION), OR INFRINGEMENT OF ANY PATENT, COPYRIGHT OR OTHER INTELLECTUAL PROPERTY RIGHT.

UNLESS EXPRESSLY APPROVED IN WRITING BY AN AUTHORIZED ST REPRESENTATIVE, ST PRODUCTS ARE NOT RECOMMENDED, AUTHORIZED OR WARRANTED FOR USE IN MILITARY, AIR CRAFT, SPACE, LIFE SAVING, OR LIFE SUSTAINING APPLICATIONS, NOR IN PRODUCTS OR SYSTEMS WHERE FAILURE OR MALFUNCTION MAY RESULT IN PERSONAL INJURY, DEATH, OR SEVERE PROPERTY OR ENVIRONMENTAL DAMAGE. ST PRODUCTS WHICH ARE NOT SPECIFIED AS "AUTOMOTIVE GRADE" MAY ONLY BE USED IN AUTOMOTIVE APPLICATIONS AT USER'S OWN RISK.

Resale of ST products with provisions different from the statements and/or technical features set forth in this document shall immediately void any warranty granted by ST for the ST product or service described herein and shall not create or extend in any manner whatsoever, any liability of ST.

ST and the ST logo are trademarks or registered trademarks of ST in various countries.

Information in this document supersedes and replaces all information previously supplied.

The ST logo is a registered trademark of STMicroelectronics. All other names are the property of their respective owners.

© 2007 STMicroelectronics - All rights reserved

STMicroelectronics group of companies

Australia - Belgium - Brazil - Canada - China - Czech Republic - Finland - France - Germany - Hong Kong - India - Israel - Italy - Japan - Malaysia - Malta - Morocco - Singapore - Spain - Sweden - Switzerland - United Kingdom - United States of America

www.st.com