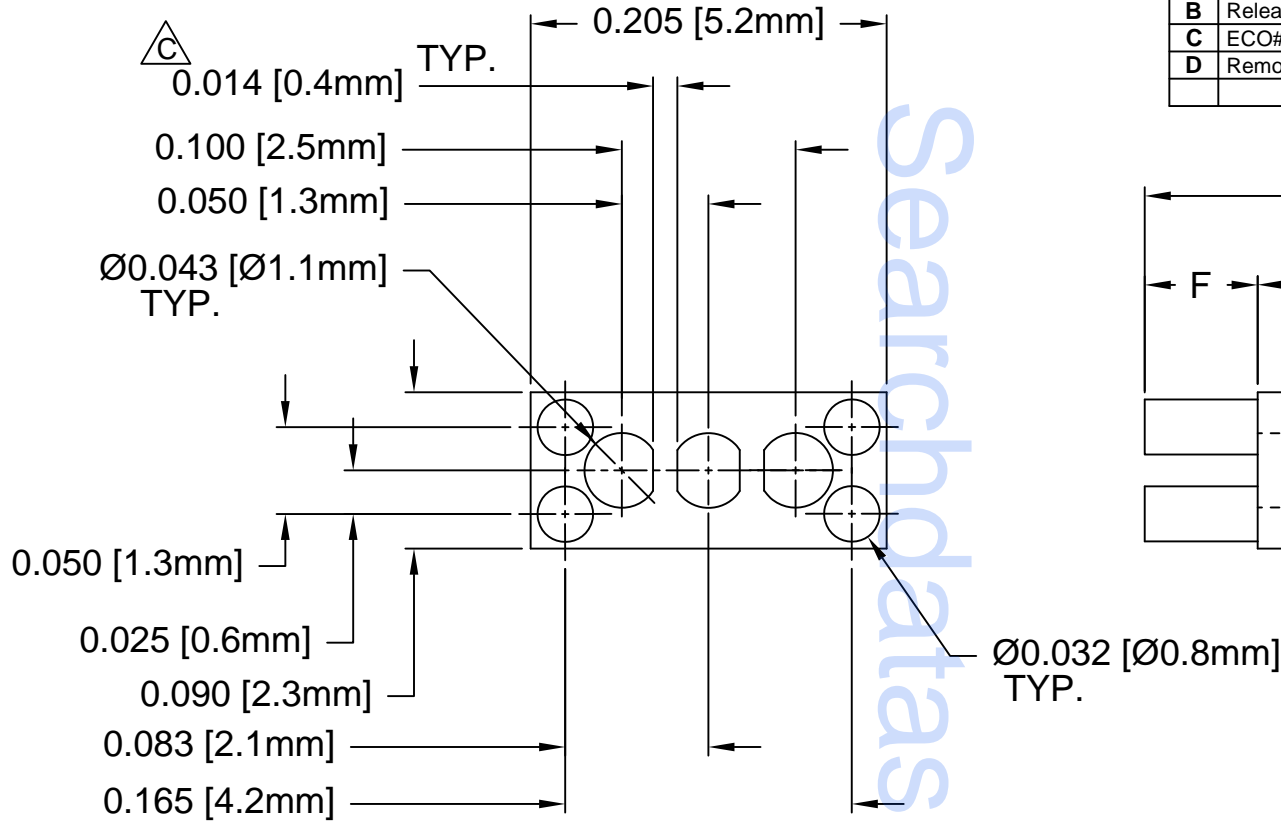


| REV. | DESCRIPTION                         | DATE     | APPROVED |
|------|-------------------------------------|----------|----------|
| A    | Engineering Release                 | 06/06/03 | M. C.    |
| B    | Release for Quotation of Re-Tooling | 10/14/03 | M. C.    |
| C    | ECO#421, Productivity Improvement   | 03/25/04 | M. C.    |
| D    | Removed Material Code               | 05/23/16 | J. C.    |



| PART NO. | H             | T             | F             |
|----------|---------------|---------------|---------------|
| RL3-360  | .360 (9.1mm)  | 0.340 (8.6mm) | 0.010 (.25mm) |
| RL3-380  | .380 (9.7mm)  |               | 0.020 (.51mm) |
| RL3-400  | .400 (10.2mm) |               | 0.030 (.76mm) |
| RL3-420  | .420 (10.7mm) |               | 0.040 (1.0mm) |
| RL3-440  | .440 (11.2mm) |               | 0.050 (1.3mm) |

| PART NO. | H             | T             | F             |
|----------|---------------|---------------|---------------|
| RL3-460  | .460 (11.7mm) | 0.340 (8.6mm) | 0.060 (1.5mm) |
| RL3-480  | .480 (12.2mm) |               | 0.070 (1.8mm) |
| RL3-500  | .500 (12.7mm) |               | 0.080 (2.0mm) |
| RL3-520  | .520 (13.2mm) |               | 0.090 (2.3mm) |
| RL3-540  | .540 (13.7mm) |               | 0.100 (2.5mm) |

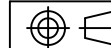
2. MATERIAL: NYLON 6/6, 94V-0, WHITE.

1. GENERAL SPECIFICATIONS: BIVAR MOLDED COMPONENT SPECIFICATION BV00-E101.

| STANDARD TOLERANCE<br>(UNLESS OTHERWISE SPECIFIED) |         |
|--|---------|
| DECIMALS   | ANGULAR |
| .X ±.1   | X° ±1°  |
| .XX ±.01   |         |
| .XXX ±.005   |         |

**BIVAR**<sup>®</sup>

4 THOMAS, IRVINE, CA. 92618  
TEL: (949) 951-8808 FAX: (949) 951-3974



TITLE:  
MOLDED RECTANGULAR LED MOUNT

|                              |                          |
|------------------------------|--------------------------|
| DESIGNED:<br><b>D. Green</b> | DATE:<br><b>06/06/03</b> |
| CHECKED:<br><b>M. Chen</b>   | DATE:<br><b>10/14/03</b> |

|   |                       |
|---|-----------------------|
| PART NO:<br><b>RL3-XXX</b>                      | REVISION:<br><b>D</b> |
| CAGE CODE : <b>32559</b>                        | SHEET # <b>1 OF 1</b> |
| CAD GENERATED DOCUMENT, DO NOT MEASURE DRAWING. |                       |