

ULTRA MINIATURE CERAMIC SMD CRYSTAL



ABM8

Moisture Sensitivity Level (MSL) – This product is Hermetically Sealed and not Moisture Sensitive-MSL = N/A: Not Applicable



**RoHS
Compliant**

3.2 x 2.5 x 0.7mm

FEATURES:

- Low in height; suitable for thin equipment, 0.8mm max
- Seam sealed package assures high reliability
- Tight tolerance and stability available
- Suitable for RoHS reflow
- Available for fundamental and 3rd over tone mode

APPLICATIONS:

- High density applications
- Modems, communication and test equipment
- PCMCIA, Wireless applications

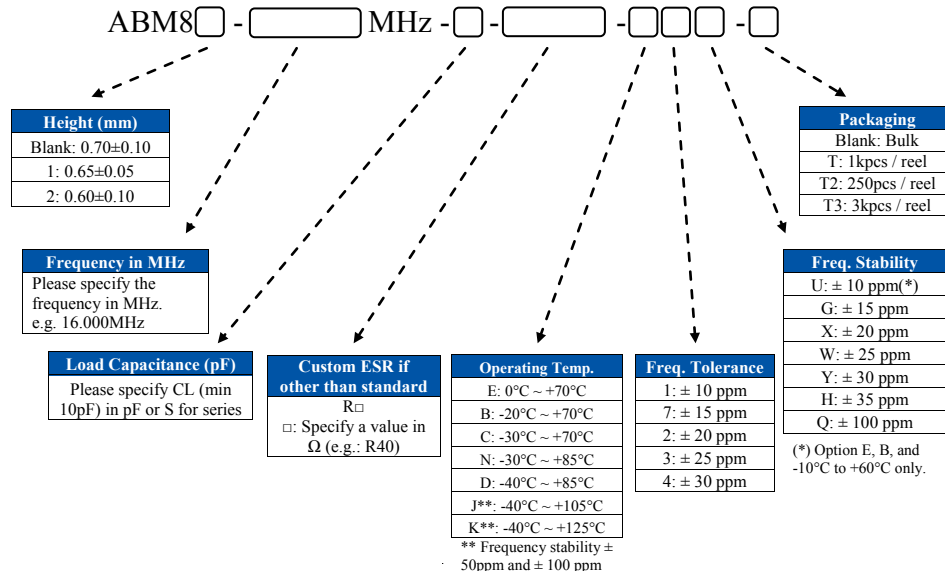
STANDARD SPECIFICATIONS:

Parameters	Minimum	Typical	Maximum	Units	Notes
Frequency Range	10.000	-----	125.000*	MHz	Contact Abracon for available F<11MHz
Operation Mode	Fundamental			-----	10MHz - 54MHz
	3rd Overtone (Standard Frequencies: 64, 66, 66.6666, 75, 80, 98.304, 100, 125MHz)			-----	64.000 MHz - 125.000 MHz Please contact Abracon for available frequencies
Operating Temperature	-10	-----	+60	°C	See options
Storage Temperature	-55	-----	+125	°C	
Frequency Tolerance @+25°C	-50	-----	+50	ppm	See options
Frequency Stability over the Operating Temperature (ref. to +25°C)	-50	-----	+50	ppm	See options
Equivalent series resistance (R1)	See table 1 below			Ω	
Shunt capacitance (C0)	-----	-----	7.0	pF	
Load capacitance (CL)	-----	18.0	-----	pF	Standard (See options if other than STD)
Drive Level	-----	10	100	μW	
Aging	-3	-----	+3	ppm	@25°C±3°C First year
Insulation Resistance	500	-----	-----	MΩ	@ 100Vdc ± 15V

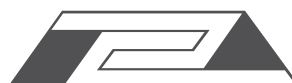
TABLE 1- Standard ESR

Frequency (MHz)	ESR(Ω) max	Frequency (MHz)	ESR(Ω) max
10.000 -11.999 (Fund)	200	30.000 - 39.999 (Fund)	40
12.000 -15.999 (Fund)	120	40.000 - 54.000 (Fund)	35
16.000 -19.999 (Fund)	70	66.000 - 80.000 (3rd OT)	120
20.000 - 29.999 (Fund)	50	98.304 - 125.000 (3rd OT)	80

OPTIONS AND PART IDENTIFICATION: (Left blank if standard)



ABRACON IS
ISO9001:2008
CERTIFIED



**ABRACON
CORPORATION**

Visit www.abracon.com for Terms & Conditions of Sale **Revised: 08.30.11**
30332 Esperanza, Rancho Santa Margarita, California 92688
tel 949-546-8000 | fax 949-546-8001 | www.abracon.com

ULTRA MINIATURE CERAMIC SMD CRYSTAL



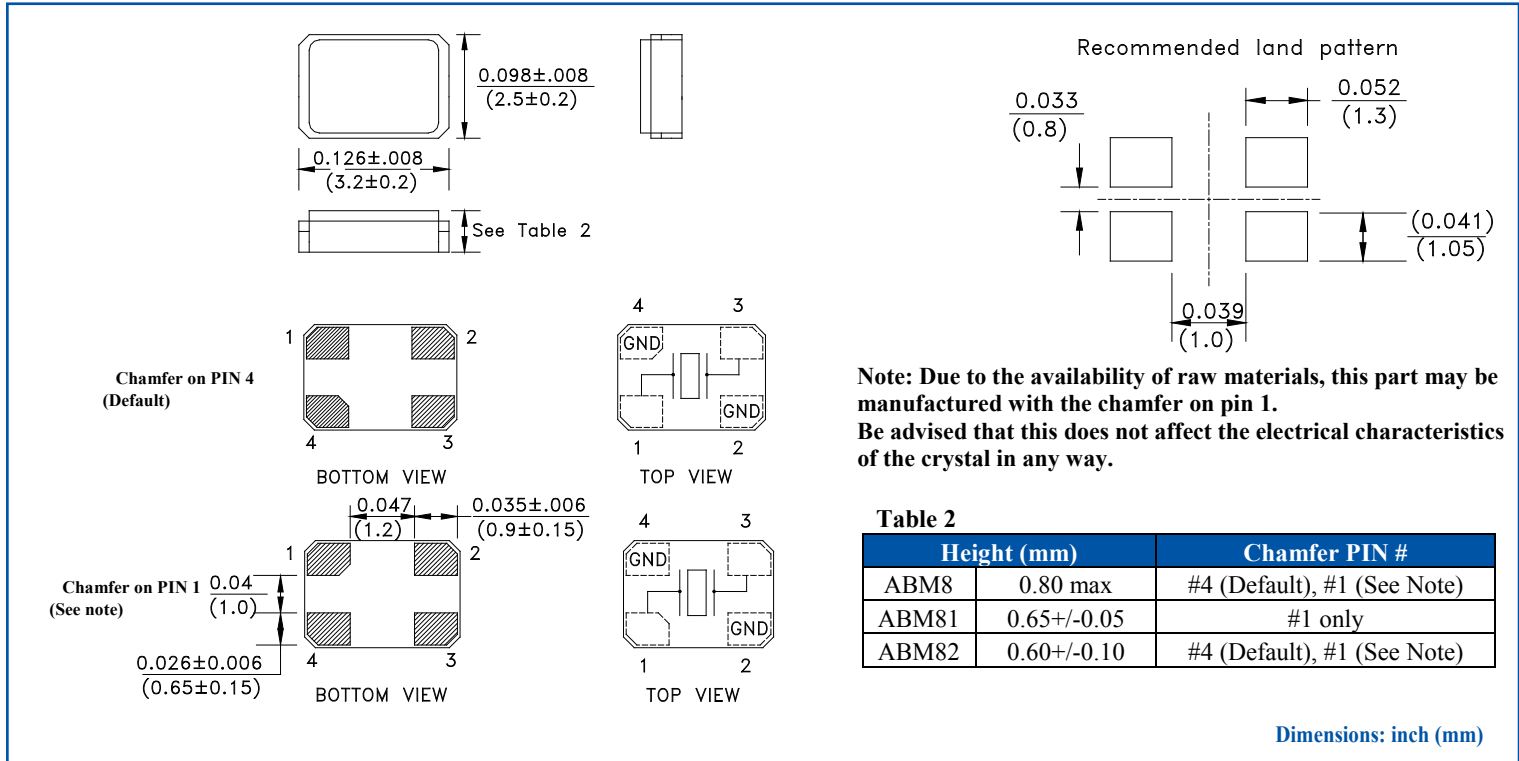
3.2 x 2.5 x 0.7mm

ABM8



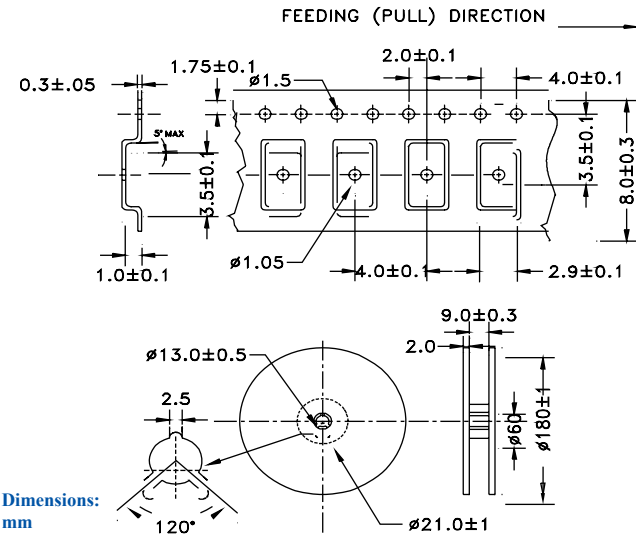
**RoHS
Compliant**

OUTLINE DRAWING:

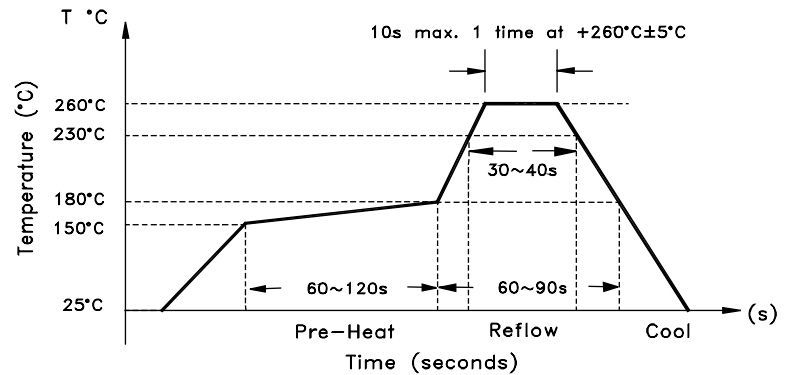


TAPE & REEL:

- Option "-T" : Tape and reel (1,000pcs/reel) : ABM8, ABM82
Tape and reel (3,000pcs/reel) : ABM81
- Option "-T2" : Tape and reel (250pcspcs/reel) : ABM8
- Option "-T3" : Tape and reel (3,000pcs/reel) : ABM8, ABM82 only



REFLOW PROFILE:



Need a test socket for the ABM8 Series? To view compatible PRECISION TEST & BURN-IN SOCKETS for these parts, [click here](#).

ATTENTION: Abracon Corporation's products are COTS – Commercial-Off-The-Shelf products; suitable for Commercial, Industrial and, where designated, Automotive Applications. Abracon's products are not specifically designed for Military, Aviation, Aerospace, Life-dependant Medical applications or any application requiring high reliability where component failure could result in loss of life and/or property. For applications requiring high reliability and/or presenting an extreme operating environment, written consent and authorization from Abracon Corporation is required. Please contact Abracon Corporation for more information.

ABRACON IS
ISO9001:2008
CERTIFIED



Visit www.abracon.com for Terms & Conditions of Sale **Revised: 08.30.11**
30332 Esperanza, Rancho Santa Margarita, California 92688
tel 949-546-8000 | fax 949-546-8001 | www.abracon.com