

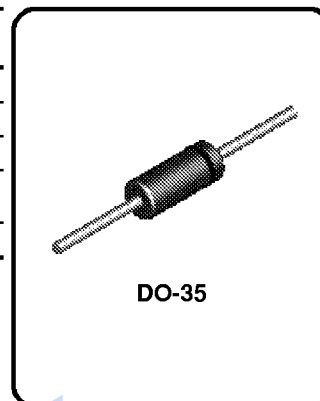
1N5226B - 1N5257B Series Half Watt Zeners

Absolute Maximum Ratings*

TA = 25°C unless otherwise noted

Tolerance: B = 5%

Parameter	Value	Units
Storage Temperature Range	-65 to +200	°C
Maximum Junction Operating Temperature	+ 200	°C
Lead Temperature (1/16" from case for 10 seconds)	+ 230	°C
Total Device Dissipation	500	mW
Derate above 75°C	4.0	mW/°C
Surge Power**	10	W



*These ratings are limiting values above which the serviceability of the diode may be impaired.

**Non-recurrent square wave PW= 8.3 ms, TA= 55 degrees C.

NOTES:

- 1) These ratings are based on a maximum junction temperature of 200 degrees C.
- 2) These are steady state limits. The factory should be consulted on applications involving pulsed or low duty cycle operations.

Searchdatasheet.com

Electrical Characteristics

TA = 25°C unless otherwise noted

Device	V _Z (V)	Z _Z (Ω)	@	I _{ZT} (mA)	Z _{ZK} (Ω)	@	I _{ZK} (mA)	V _R (V)	@	I _R (μA)	T _C (%/°C)
1N5226B	3.3	28		20	1,600		0.25	1.0		25	- 0.07
1N5227B	3.6	24		20	1,700		0.25	1.0		15	- 0.065
1N5228B	3.9	23		20	1,900		0.25	1.0		10	- 0.06
1N5229B	4.3	22		20	2,000		0.25	1.0		5.0	+/- 0.055
1N5230B	4.7	19		20	1,900		0.25	2.0		5.0	+/- 0.03
1N5231B	5.1	17		20	1,600		0.25	2.0		5.0	+/- 0.3
1N5232B	5.6	11		20	1,600		0.25	3.0		5.0	0.038
1N5233B	6.0	7.0		20	1,600		0.25	3.5		5.0	0.038
1N5234B	6.2	7.0		20	1,000		0.25	4.0		5.0	0.045
1N5235B	6.8	5.0		20	750		0.25	5.0		3.0	0.05
1N5236B	7.5	6.0		20	500		0.25	6.0		3.0	0.058
1N5237B	8.2	8.0		20	500		0.25	6.5		3.0	0.062
1N5238B	8.7	8.0		20	600		0.25	6.5		3.0	0.065
1N5239B	9.1	10		20	600		0.25	7.0		3.0	0.068
1N5240B	10	17		20	600		0.25	8.0		3.0	0.075
1N5241B	11	22		20	600		0.25	8.4		2.0	0.076
1N5242B	12	30		20	600		0.25	9.1		1.0	0.077

V_F Forward Voltage = 1.1 V Maximum @ I_F = 200 mA for all 1N5200 series

NOTE: National preferred devices in **BOLD**

Series Zener
(continued)

Electrical Characteristics (continued) TA = 25°C unless otherwise noted

Device	V _Z (V)	Z _Z (Ω)	@	I _{ZT} (mA)	Z _{ZK} (Ω)	@	I _{ZK} (mA)	V _R (V)	@	I _R (nA)	T _C (%/°C)
1N5243B	13	13		9.5	600		0.25	9.9		500	0.079
1N5244B	14	15		9.0	600		0.25	10		100	0.082
1N5245B	15	16		8.5	600		0.25	11		100	0.082
1N5246B	16	17		7.8	600		0.25	12		100	0.083
1N5247B	17	19		7.4	600		0.25	13		100	0.084
1N5248B	18	21		7.0	600		0.25	14		100	0.085
1N5249B	19	23		6.6	600		0.25	14		100	0.086
1N5250B	20	25		6.2	600		0.25	15		100	0.086
1N5251B	22	29		5.6	600		0.25	17		100	0.087
1N5252B	24	33		5.2	600		0.25	18		100	0.088
1N5253B	25	35		5.0	600		0.25	19		100	0.089
1N5254B	27	41		4.6	600		0.25	21		100	0.090
1N5255B	28	44		4.5	600		0.25	21		100	0.091
1N5256B	30	49		4.2	600		0.25	23		100	0.091
1N5257B	33	58		3.8	700		0.25	25		100	0.092

V_F Forward Voltage = 1.1 V Maximum @ I_F = 200 mA for all 1N5200 series

NOTE: National preferred devices in **BOLD**

1N5226B - 1N5257B Series

TRADEMARKS

The following are registered and unregistered trademarks Fairchild Semiconductor owns or is authorized to use and is not intended to be an exhaustive list of all such trademarks.

ACE ^x ™	ISOPLANAR™
CoolFET™	MICROWIRE™
CROSSVOLT™	POP™
E ² CMOS™	PowerTrench™
FACT™	QS™
FACT Quiet Series™	Quiet Series™
FAST®	SuperSOT™-3
FAST _r ™	SuperSOT™-6
GTO™	SuperSOT™-8
HiSeC™	TinyLogic™

DISCLAIMER

FAIRCHILD SEMICONDUCTOR RESERVES THE RIGHT TO MAKE CHANGES WITHOUT FURTHER NOTICE TO ANY PRODUCTS HEREIN TO IMPROVE RELIABILITY, FUNCTION OR DESIGN. FAIRCHILD DOES NOT ASSUME ANY LIABILITY ARISING OUT OF THE APPLICATION OR USE OF ANY PRODUCT OR CIRCUIT DESCRIBED HEREIN; NEITHER DOES IT CONVEY ANY LICENSE UNDER ITS PATENT RIGHTS, NOR THE RIGHTS OF OTHERS.

LIFE SUPPORT POLICY

FAIRCHILD'S PRODUCTS ARE NOT AUTHORIZED FOR USE AS CRITICAL COMPONENTS IN LIFE SUPPORT DEVICES OR SYSTEMS WITHOUT THE EXPRESS WRITTEN APPROVAL OF FAIRCHILD SEMICONDUCTOR CORPORATION. As used herein:

1. Life support devices or systems are devices or systems which, (a) are intended for surgical implant into the body, or (b) support or sustain life, or (c) whose failure to perform when properly used in accordance with instructions for use provided in the labeling, can be reasonably expected to result in significant injury to the user.
2. A critical component is any component of a life support device or system whose failure to perform can be reasonably expected to cause the failure of the life support device or system, or to affect its safety or effectiveness.

PRODUCT STATUS DEFINITIONS

Definition of Terms

Datasheet Identification	Product Status	Definition
Advance Information	Formative or In Design	This datasheet contains the design specifications for product development. Specifications may change in any manner without notice.
Preliminary	First Production	This datasheet contains preliminary data, and supplementary data will be published at a later date. Fairchild Semiconductor reserves the right to make changes at any time without notice in order to improve design.
No Identification Needed	Full Production	This datasheet contains final specifications. Fairchild Semiconductor reserves the right to make changes at any time without notice in order to improve design.
Obsolete	Not In Production	This datasheet contains specifications on a product that has been discontinued by Fairchild semiconductor. The datasheet is printed for reference information only.