

**PLEASE CHECK WWW.MOLEX.COM FOR LATEST PART INFORMATION**

**Part Number:** [0901301224](#)  
**Status:** **Active**  
**Overview:** [C-Grid III Interconnects](#)  
**Description:** C-Grid III Header, Dual Row, Vertical, Shrouded, Fully Loaded, 24 Circuits, Black, 0.38µm Gold (Au) Selective Plating

**Documents:**

[3D Model](#) [Packaging Specification PK-91814-005 \(PDF\)](#)  
[Drawing \(PDF\)](#) [RoHS Certificate of Compliance \(PDF\)](#)  
[Product Specification PS-99020-0001-001 \(PDF\)](#)

**Agency Certification**

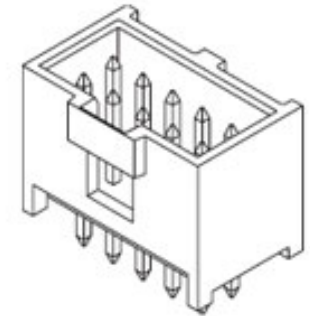
CSA LR19980  
 UL E29179

**General**

Product Family PCB Headers  
 Series [90130](#)  
 Application Signal, Wire-to-Board  
 Overview [C-Grid III Interconnects](#)  
 Product Name C-Grid III  
 UPC 800753698239

**Physical**

Breakaway No  
 Circuits (Loaded) 24  
 Circuits (maximum) 24  
 Color - Resin Black  
 Durability (mating cycles max) 100  
 First Mate / Last Break No  
 Flammability 94V-0  
 Glow-Wire Capable No  
 Guide to Mating Part No  
 Keying to Mating Part None  
 Lock to Mating Part Yes  
 Material - Metal Brass  
 Material - Plating Mating Gold  
 Material - Plating Termination Tin  
 Material - Resin Polyester  
 Net Weight 2.670/g  
 Number of Rows 2  
 Orientation Vertical  
 PC Tail Length 2.90mm  
 PCB Locator No  
 PCB Retention None  
 PCB Thickness - Recommended 1.60mm  
 Packaging Type Tray  
 Pitch - Mating Interface 2.54mm  
 Pitch - Termination Interface 2.54mm  
 Plating min - Mating 0.381µm  
 Plating min - Termination 3.048µm  
 Polarized to Mating Part Yes  
 Polarized to PCB No  
 Shrouded Closed Ends  
 Stackable No  
 Surface Mount Compatible (SMC) No  
 Temperature Range - Operating -55° to +125°C



Series image - Reference only

**EU ELV**

**Not Relevant**

**EU RoHS**

**Compliant**

**REACH SVHC**

Not Contained Per  
 -ED/01/2018 (15  
 January 2018)

**Halogen-Free**

**Status**

**Not Low-Halogen**

For more information, please visit [Contact US](#)

China ROHS

ELV

RoHS Phthalates

**China RoHS**

Green Image

Not Relevant

Not Contained

**Search Parts in this Series**

[90130 Series](#)

**Mates With**

[90142 C-Grid III Crimp Housing](#)

Termination Interface: Style Through Hole

**Electrical**

Current - Maximum per Contact 3.0A  
Voltage - Maximum 350V AC/DC

**Solder Process Data**

Duration at Max. Process Temperature (seconds) 003  
Lead-free Process Capability WAVE  
Max. Cycles at Max. Process Temperature 001  
Process Temperature max. C 235

**Material Info**

**Reference - Drawing Numbers**

Packaging Specification PK-91814-005  
Product Specification PS-99020-0001-001  
Sales Drawing SDA-90130-001

This document was generated on 11/02/2018

**PLEASE CHECK [WWW.MOLEX.COM](http://WWW.MOLEX.COM) FOR LATEST PART INFORMATION**

# Mouser Electronics

Authorized Distributor

Click to View Pricing, Inventory, Delivery & Lifecycle Information:

[Molex:](#)

[90130-1224](#)