

Customer Information Sheet

DRAWING No.: M80-5T1XXXXBI, M80-5T1XXXXBI-00-000-00-000 SHT 2 OF 2

IF IN DOUBT - ASK

©

NOT TO SCALE

THIRD ANGLE PROJECTION

ALL DIMENSIONS IN mm

SPECIFICATIONS:

MATERIAL:
 MOULDING = GLASS-FILLED PPS, UL94V-0, BLACK
 CONTACT = PHOSPHOR BRONZE
 BOARD/PANEL MOUNTS & NUTS = STAINLESS STEEL
 BACKSHELL = ALUMINIUM ALLOY

FINISH:
CONTACTS:
 05 = 0.75µ GOLD ALL OVER
 22 = 0.75µ GOLD ON CONTACT AREA,
 3µ TIN/LEAD ON TAILS
 42 = 0.75µ GOLD ON CONTACT AREA,
 3µ 100% TIN ON TAILS

BACKSHELL = NICKEL

ELECTRICAL:
 RF ATTENUATION = 10kHz to 400MHz @ >30dBs
 IN GENERAL ACCORDANCE WITH MIL STD 1377 (1971)
 CURRENT RATING AT 25°C = 3.0A MAX
 CURRENT RATING AT 85°C = 2.2A MAX
 WORKING VOLTAGE = 120V AC/DC
 VOLTAGE PROOF = 360V AC/DC
 CONTACT RESISTANCE = 25 mΩ MAX
 INSULATION RESISTANCE = 100 MΩ MIN

MECHANICAL:
 DURABILITY = 500 OPERATIONS

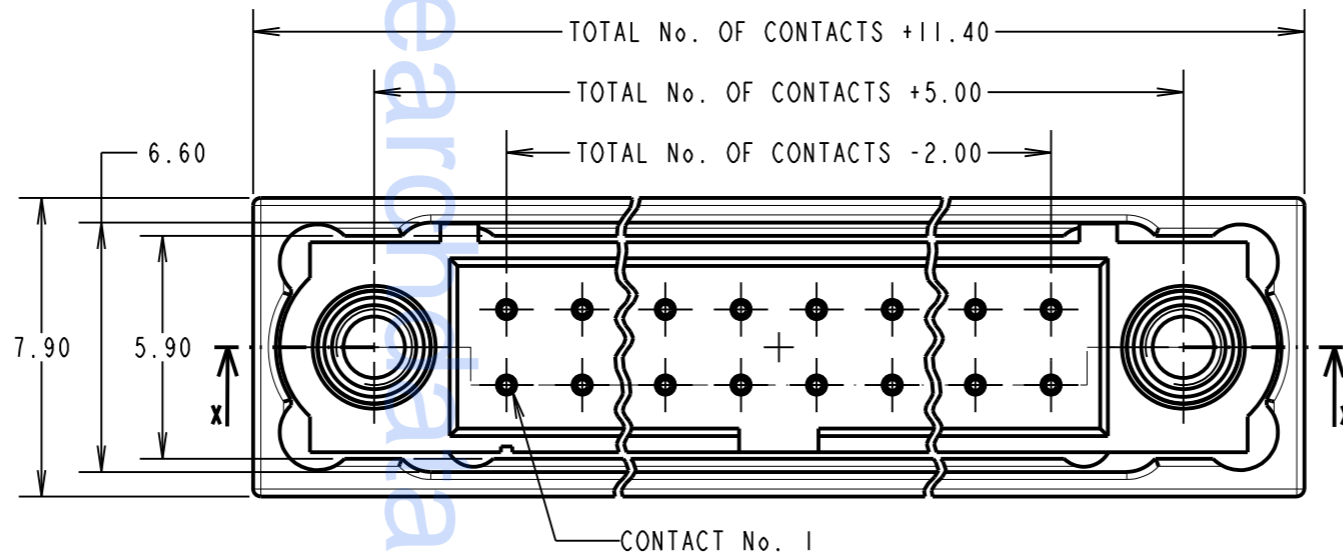
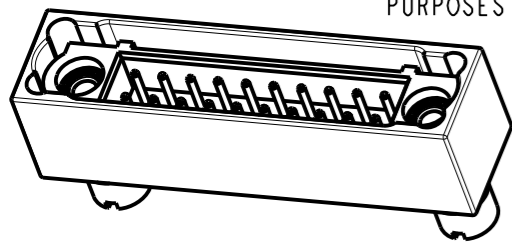
ENVIRONMENTAL:
 TEMPERATURE RANGE = -55°C TO +121°C

PACKING:
 SEE NOTES
 FOR COMPLETE SPECIFICATION, SEE COMPONENT SPECIFICATION C005XX (LATEST ISSUE) AND C042XX (LATEST ISSUE)

NOTES:

- SUPPLIED AS A KIT OF PARTS, CONNECTORS SHOWN ASSEMBLED FOR INFORMATION PURPOSES ONLY.
- CONNECTORS WITH JACKSCREWS ASSEMBLED WILL BE SUPPLIED IN TUBES, SLOTTED NUTS WILL BE SUPPLIED LOOSE IN A BAG, BACKSHELLS WILL BE INDIVIDUALLY BAGGED. KITS WILL BE BULK PACKED INTO BOXES.
- ALL PART LABELLING TO BE AS ORDER CODE, EITHER WITH TRAILING ZEROS OR LEFT BLANK AS PER ORDER CODE EXAMPLES 1 AND 2.

ASSEMBLED CONNECTOR SHOWN FOR ILLUSTRATION PURPOSES ONLY

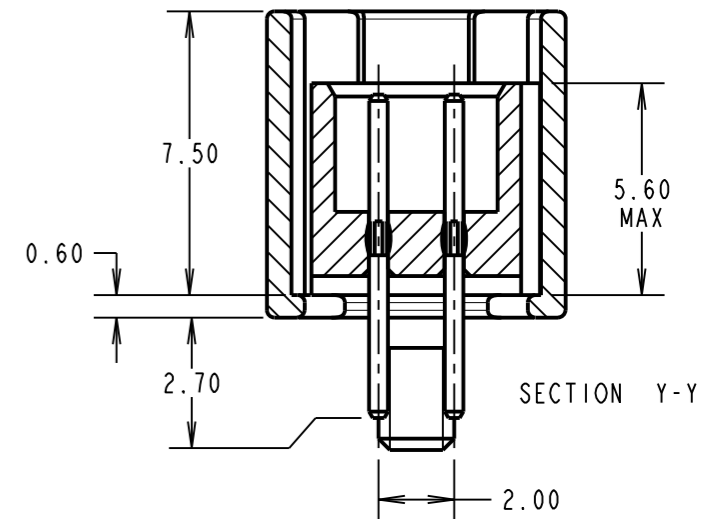
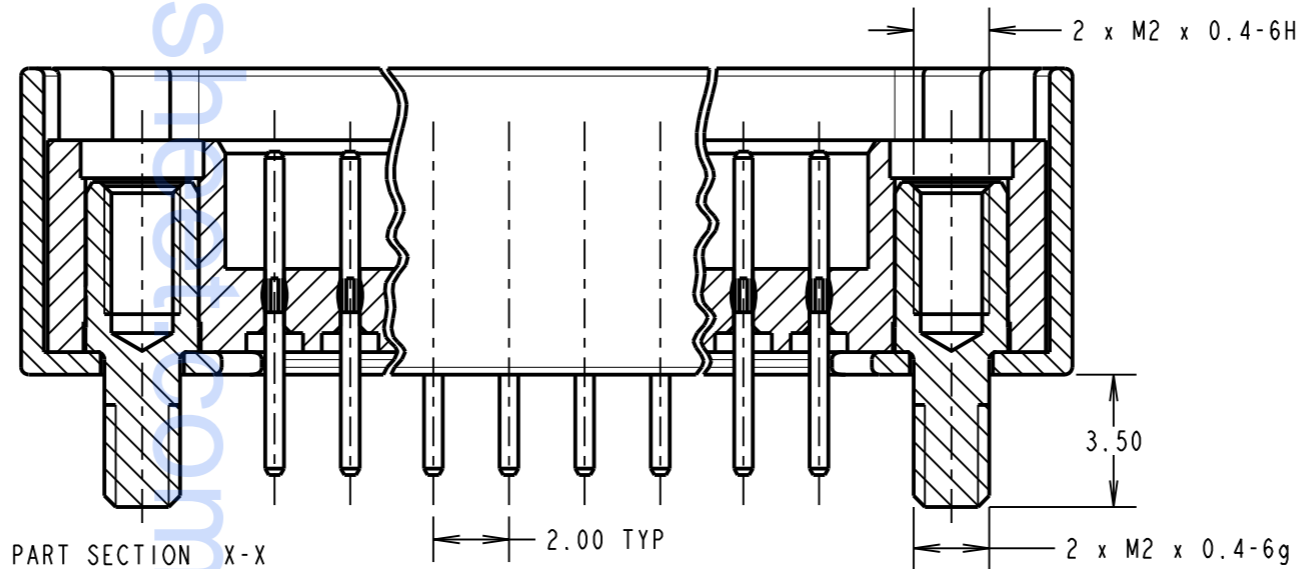


ORDER CODE: **M80-5T1XXXXBI-XX-XXX-XX-XXX**

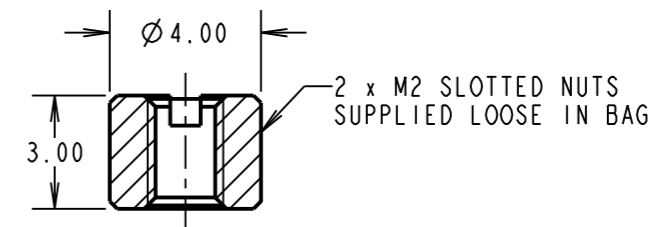
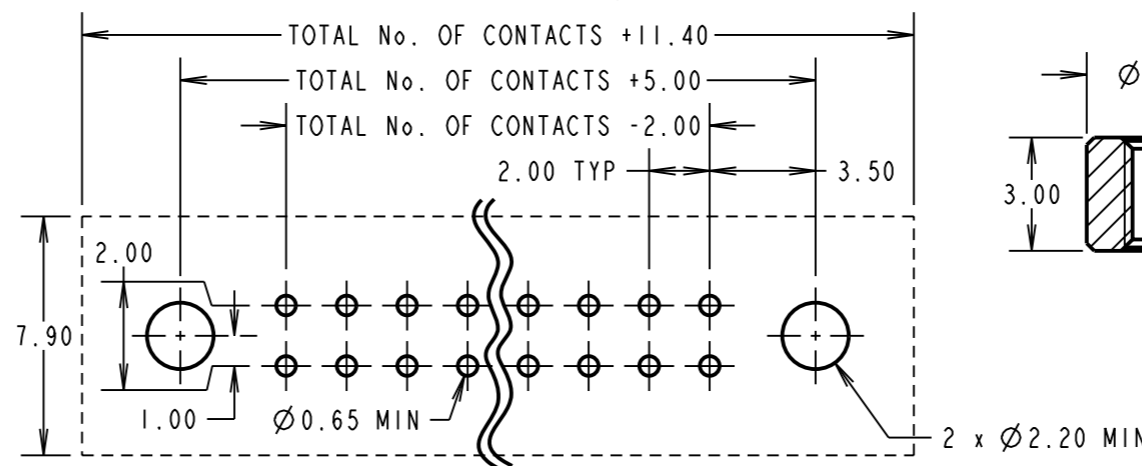
TOTAL No. OF CONTACTS
 06, 10, 14, 20, 26

FINISH CODE
 05 - ALL OVER GOLD
 22 - GOLD ON CONTACT AREA / TIN/LEAD ON TAIL
 42 - GOLD ON CONTACT AREA / 100% TIN OVER NICKEL ON TAIL

NUMBER OF SPECIAL CONTACTS
 X's CAN BE DISPLAYED AS TRAILING ZEROS OR LEFT BLANK
 SEE EXAMPLE ORDER CODES FOR EXPLANATION.



RECOMMENDED PCB LAYOUT



EXAMPLE ORDER CODE 1: CONNECTOR WITH 20 CONTACTS, GOLD ON CONTACT AREA AND 100% TIN ON TAIL, 2.7mm PC TAIL
M80-5T12042BI-00-000-00-000

EXAMPLE ORDER CODE 2: CONNECTOR WITH 20 CONTACTS, GOLD ON CONTACT AREA AND 100% TIN ON TAIL, 2.7mm PC TAIL
M80-5T12042BI

SF	3	31.01.11	11110
NAME	ISS.	DATE	C/NOTE
APPROVED:		S.FLOWER	
CHECKED:		R.ADDE	
DRAWN:		S.FLOWER	
CUSTOMER REF.:			
ASSEMBLY DRG:			

HARWIN

HARWIN USA
 TEL: 603 893 5376
 FAX: 603 893 5396
 mis@harwin.com

HARWIN Europe (UK)
 TEL: 023 9231 4545
 FAX: 023 9231 4590
 mis@harwin.co.uk

HARWIN Asia
 TEL: +65 6 779 4909
 FAX: +65 6 779 3868
 mis@harwin.com.sg

THIS DRAWING AND ANY INFORMATION OR DESCRIPTIVE MATTER SET OUT HEREON ARE CONFIDENTIAL AND COPYRIGHT PROPERTY OF THE HARWIN GROUP AND MUST NOT BE DISCLOSED, LOANED, COPIED OR USED FOR MANUFACTURING, TENDERING OR FOR ANY OTHER PURPOSE WITHOUT THEIR WRITTEN PERMISSION.

TOLERANCES
 X. = ±1mm
 X.X = ±0.25mm
 X.XX = ±0.10mm
 X.XXX = ±0.01mm

ANGLES = ±5°
 UNLESS STATED

MATERIAL:
 SEE ABOVE

FINISH:
 SEE ABOVE

S/AREA:
 mm²

TITLE: DATAMATE J-TEK DIL VERTICAL 2.7mm PC-TAIL MALE ASSY WITH METAL BACKSHELL

DRAWING NUMBER: **M80-5T1XXXXBI**

M80-5T1XXXXBI-00-000-00-000

SHT 2 OF 2