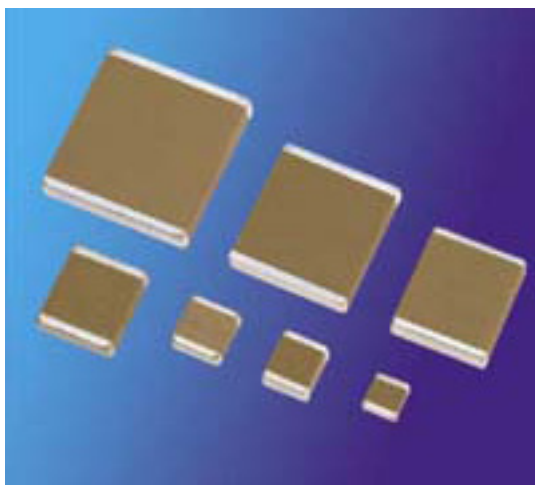


High Temperature SMT Capacitors 200°C



KEY FEATURES:

- For Use at Temperatures Up to 200°C
- Rated Working Voltages from 50V to 200V
- MLC Designs Utilizing Military Grade Ceramics
- Custom Sizes, Values, and Voltages Available

APPLICATIONS:

- For Use in High Temperature Applications, Such as:
 - Oil Well Logging (Downhole)
 - Geophysical Probes
 - Jet Engine Controls

Searchdatasheet.com



Capacitance / Voltage Selection

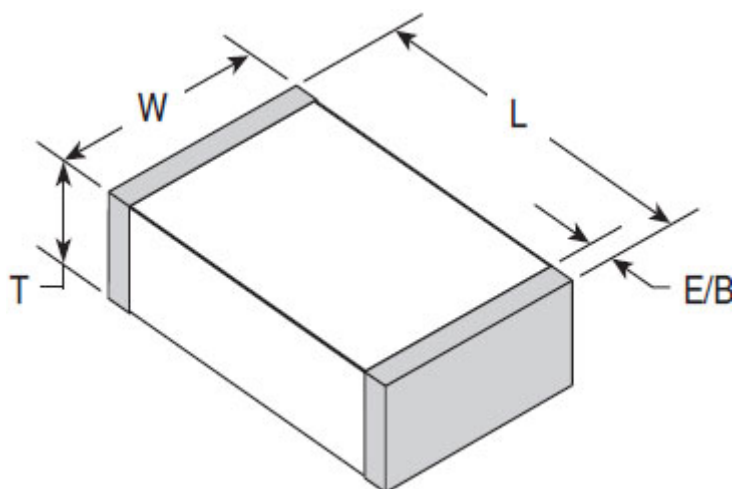
| Case Size | NPO Max Capacitance | | | X7R Max Capacitance | | |
|------------|---------------------|---------------|---------------|---------------------|---------------|---------------|
| | 50V | 100V | 200V | 50V | 100V | 200V |
| T14 / 0603 | 330 pF | 220 pF | 120 pF | 5600 pF | 3900 pF | 2200 pF |
| T15 / 0805 | 1500 pF | 1000 pF | 680 pF | 0.027 μ F | 0.018 μ F | 0.010 μ F |
| T18 / 1206 | 3300 pF | 2200 pF | 1500 pF | 0.056 μ F | 0.047 μ F | 0.023 μ F |
| T41 / 1210 | 5600 pF | 4700 pF | 3900 pF | 0.120 μ F | 0.100 μ F | 0.068 μ F |
| T43 / 1812 | 0.012 μ F | 0.010 μ F | 8200 pF | 0.270 μ F | 0.220 μ F | 0.150 μ F |
| T49 / 1825 | 0.027 μ F | 0.022 μ F | 0.018 μ F | 0.560 μ F | 0.470 μ F | 0.290 μ F |
| T48 / 2225 | 0.039 μ F | 0.033 μ F | 0.022 μ F | 0.820 μ F | 0.680 μ F | 0.470 μ F |

Dielectric Characteristics

| | NPO Dielectric | X7R Dielectric |
|-------------------------------------|---|--|
| Temperature Coefficient: | 0 \pm 30 ppm, -55 to 125°C | 0 \pm 15%, -55 to 125°C |
| Cap Drop at 200C | minus 0.5% max | minus 45% max |
| Dissipation Factor: | .001 (0.1%) max, 1Khz, 25°C | .025 (2.5%) max, 1KHz, 25°C |
| Insulation Resistance @ 25C | 1000 Ω F or 100 G Ω , whichever is less @ 25C, WVDC | 1000 Ω F or 100 G Ω , whichever is less @ 25°C, WVDC |
| Insulation Resistance @ 200C | 1 Ω F or 100 M Ω , whichever is less @200°C, WVDC | 1 Ω F or 100 M Ω , whichever is less @ 200°C, WVDC |
| Dielectric Strength: | 2.5 X WVDC, 25°C, 50 mA max | 2.5 X WVDC, 25°C, 50 mA max |
| Test Parameters: | 1Khz \pm 50Hz, 1.0 \pm 0.2 VRMS, 25°C | 1Khz \pm 50Hz, 1.0 \pm 0.2 VRMS, 25°C |

Mechanical Characteristics

| Case Size | T (max) | | W (10%) | | L (10%) | | E/B | |
|------------|---------|-------|----------|-------|----------|-------|------|---------------|
| | mm. | in. | mm. | in. | mm. | in. | mm. | in. |
| T14 / 0603 | 0.89 | 0.035 | 0.81 | 0.032 | 1.6 | 0.063 | 0.25 | 0.010 ± .005 |
| T15 / 0805 | 1.27 | 0.050 | 1.27 | 0.050 | 2.03 | 0.080 | 0.51 | 0.020 ± 0.010 |
| T18 / 1206 | 1.4 | 0.055 | 1.57 | 0.062 | 3.18 | 0.125 | 0.51 | 0.020 ± 0.010 |
| T41 / 1210 | 2.03 | 0.080 | 2.41 | 0.095 | 3.18 | 0.125 | 0.51 | 0.020 ± 0.010 |
| T43 / 1812 | 2.79 | 0.110 | 3.18 | 0.125 | 4.45 | 0.175 | 0.64 | 0.025 ± 0.015 |
| T49 / 1825 | 3.56 | 0.140 | 6.35 | 0.250 | 4.57 | 0.180 | 0.64 | 0.025 ± 0.015 |
| T48 / 2225 | 3.81 | 0.150 | 6.35 | 0.250 | 5.72 | 0.225 | 0.64 | 0.025 ± 0.015 |





How to Order

