

#### 7 CIRCUIT DARLINGTON TRANSISTOR ARRAY

#### FEATURES

- Output Current : 500mA Max.
- High Sustaining Voltage Outputs : 50V Min.
- Output Clamp Diodes
- Inputs Compatible With Various Types of Logic.
- PKG Type APV : DIP-16Pin, AFV : FLP-16Pin

TYPE	INPUT RESISTOR	DESIGNATION
KID65001APV/AFV	No (External)	General Purpose
KID65002APV/AFV	Zener Diode 7V+10.5k $\Omega$	14~25V P-MOS
KID65003APV/AFV	2.7k $\Omega$	TTL, 5V C-MOS
KID65004APV/AFV	10.5k $\Omega$	6~15V P-MOS, C-MOS

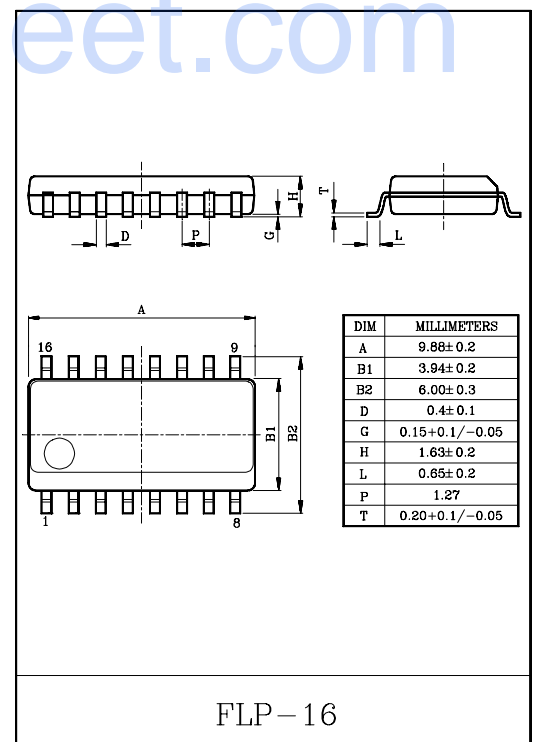
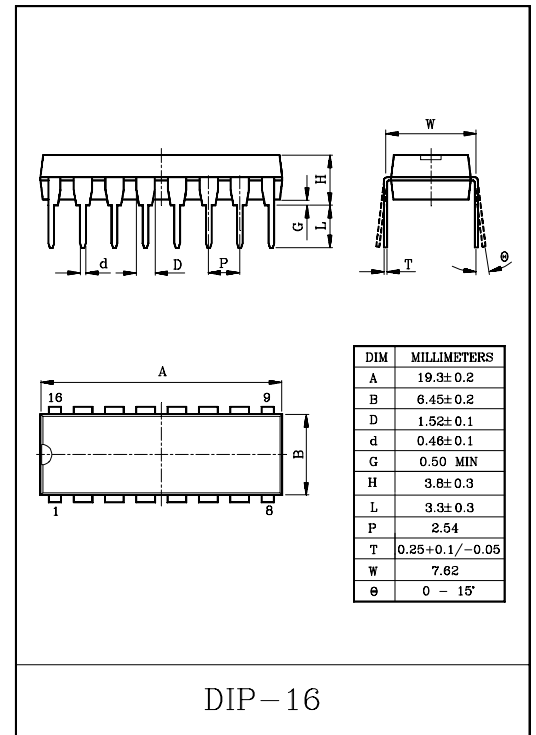
#### DESCRIPTION:

The KID65001APV/AFV Series are high-voltage, high-current darlington transistor array comprised of seven NPN darlington pairs. All units feature internal clamp diodes for switching inductive loads.

#### MAXIMUM RATINGS (Ta=25°C, unless otherwise noted)

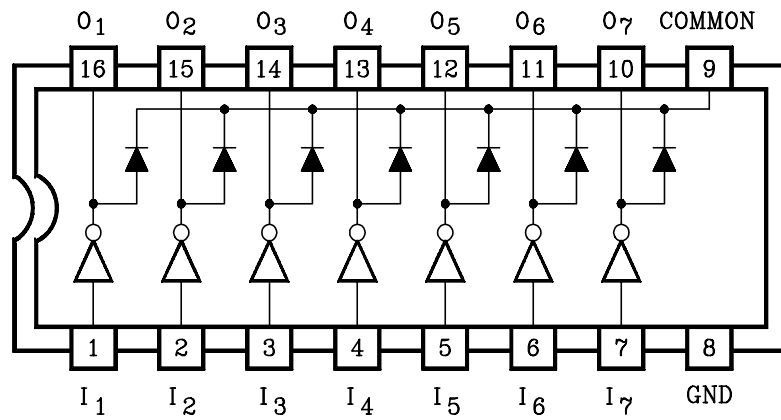
CHARACTERISTIC		SYMBOL	RATING	UNIT
Output Sustaining Voltage		V <sub>CE(SUS)</sub>	50	V
Output Current		I <sub>OUT</sub>	500	mA
Input Voltage		V <sub>IN</sub> *	-0.5 ~ +30	V
Input Current		I <sub>IN</sub> **	25	mA
Clamp Diode	Reverse Voltage	V <sub>R</sub>	50	V
	Forward Current	I <sub>F</sub>	500	mA
GND Terminal Current		I <sub>GND</sub>	2.8	A
Power Dissipation	APV	P <sub>D</sub>	1.47	W
	AFV		0.54	W
Operating Temperature		T <sub>opr</sub>	-40 ~ 85	°C
Storage Temperature		T <sub>stg</sub>	-55 ~ 150	°C

\*Except KID65001APV/AFV, \*\*Only KID65001APV/AFV

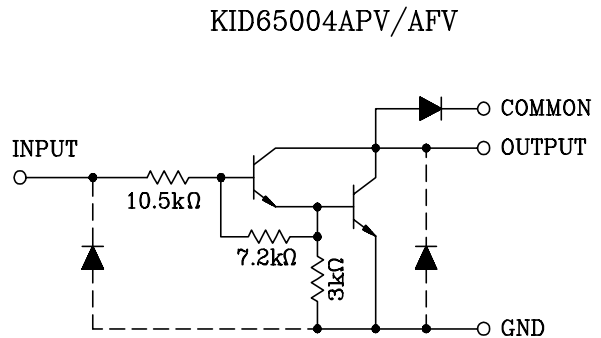
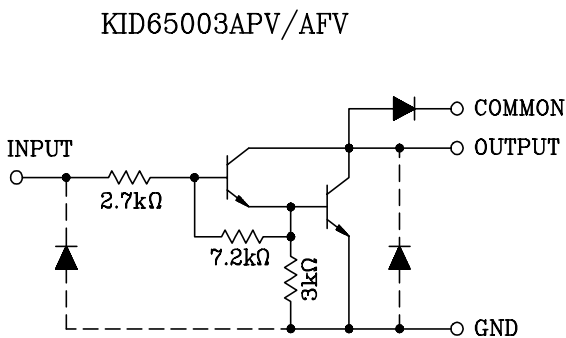
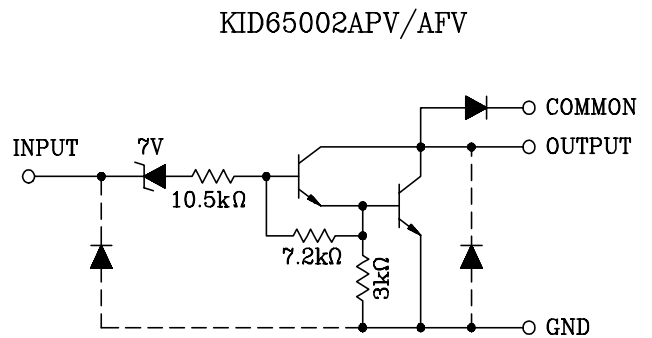
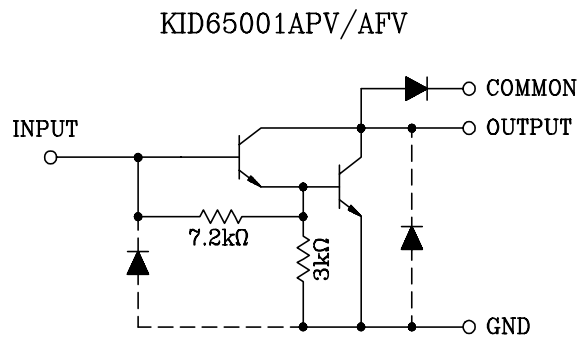


# KID65001APV/AFV ~ KID65004APV/AFV

## PIN CONNECTION (TOP VIEW)



## SCHEMATICS (EACH DRIVER)



# KID65001APV/AFV ~ KID65004APV/AFV

## RECOMMENDED OPERATING CONDITIONS (Ta=-40~85°C)

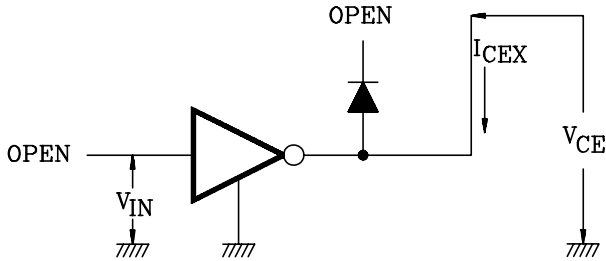
CHARACTERISTIC		SYMBOL	CONDITION	MIN.	TYP.	MAX.	UNIT
Output Sustaining Voltage		V <sub>CE(SUS)</sub>		0	-	50	V
Output Current		I <sub>OUT</sub>	T <sub>PW</sub> =25ms, DF=10%, 7 Circuits	0	-	400	mA
			T <sub>PW</sub> =25ms, DF=30%, 7 Circuits	0	-	200	
Input Voltage		V <sub>IN</sub>	Except KID65001APV/AFV	0	-	30	V
Input Current		I <sub>IN</sub>	Only KID65001APV/AFV	0	-	5	mA
Clamp Diode Reverse Voltage		V <sub>R</sub>		-	-	50	V
Clamp Diode Forward Current		I <sub>F</sub>		-	-	400	mA
Power Dissipation	APV	P <sub>D</sub>	Ta=Topr(max)	-	-	0.52	W
	AFV			-	-	0.32	

## ELECTRICAL CHARACTERISTICS (Ta=25°C, unless otherwise noted)

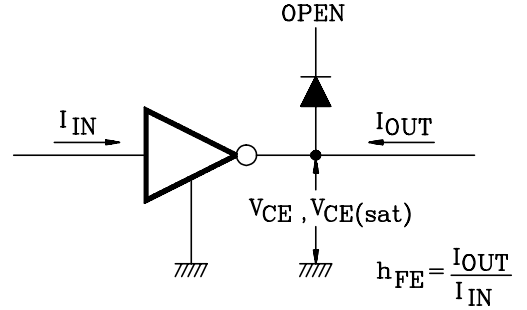
CHARACTERISTICS		SYMBOL	TEST CIRCUIT	TEST CONDITION	MIN.	TYP.	MAX.	UNIT
Output Leak Current		I <sub>CEX</sub>	1	V <sub>CE</sub> =50V, Ta=25°C	-	-	50	μA
				V <sub>CE</sub> =50V, Ta=85°C	-	-	100	
	KID65002APV/AFV			V <sub>CE</sub> =50V, V <sub>IN</sub> =6V	-	-	500	
	KID65004APV/AFV			V <sub>CE</sub> =50V, V <sub>IN</sub> =1V	-	-	500	
Collector-Emitter Saturation Voltage		V <sub>CE(sat)</sub>	2	I <sub>OUT</sub> =350mA, I <sub>IN</sub> =500μA	-	1.3	1.6	V
				I <sub>OUT</sub> =200mA, I <sub>IN</sub> =350μA	-	1.1	1.3	
				I <sub>OUT</sub> =100mA, I <sub>IN</sub> =250μA	-	0.9	1.1	
Input Current	KID65002APV/AFV	I <sub>IN(ON)</sub>	3	V <sub>IN</sub> =17V	-	0.82	1.25	mA
	KID65003APV/AFV			V <sub>IN</sub> =3.85V	-	0.93	1.35	
	KID65004APV/AFV			V <sub>IN</sub> =5V	-	0.35	0.5	
				V <sub>IN</sub> =12V	-	1.0	1.45	
	I <sub>IN(OFF)</sub>	4	I <sub>OUT</sub> =500μA, Ta=85°C	50	65	-	μA	
Input Voltage	KID65002APV/AFV	V <sub>IN(ON)</sub>	5	V <sub>CE</sub> =2V, I <sub>OUT</sub> =300mA	-	-	13	V
				V <sub>CE</sub> =2V, I <sub>OUT</sub> =200mA	-	-	2.4	
	KID65003APV/AFV			V <sub>CE</sub> =2V, I <sub>OUT</sub> =250mA	-	-	2.7	
				V <sub>CE</sub> =2V, I <sub>OUT</sub> =300mA	-	-	3.0	
	KID65004APV/AFV			V <sub>CE</sub> =2V, I <sub>OUT</sub> =125mA	-	-	5.0	
				V <sub>CE</sub> =2V, I <sub>OUT</sub> =200mA	-	-	6.0	
				V <sub>CE</sub> =2V, I <sub>OUT</sub> =275mA	-	-	7.0	
				V <sub>CE</sub> =2V, I <sub>OUT</sub> =350mA	-	-	8.0	
DC Current Transfer Ratio		h <sub>FE</sub>	2	V <sub>CE</sub> =2V, I <sub>OUT</sub> =350mA	1000	-	-	
Clamp Diode Reverse Current		I <sub>R</sub>	6	V <sub>R</sub> =50V, Ta=25°C	-	-	50	μA
				V <sub>R</sub> =50V, Ta=85°C	-	-	100	
Clamp Diode Forward Voltage		V <sub>F</sub>	7	I <sub>F</sub> =350mA	-	-	2.0	V
Input Capacitance		C <sub>IN</sub>			-	15	-	pF
Turn-ON Delay		t <sub>ON</sub>	8	V <sub>OUT</sub> =50V, R <sub>L</sub> =163Ω C <sub>L</sub> =15pF	-	0.1	-	μS
Turn-OFF Delay		t <sub>OFF</sub>			-	0.2	-	

TEST CIRCUIT

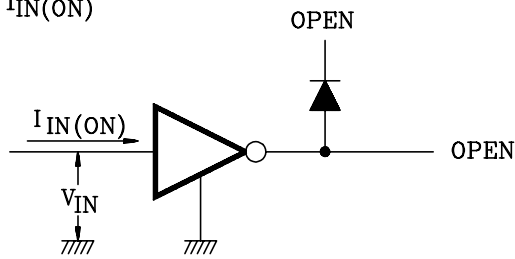
1.  $I_{CEX}$



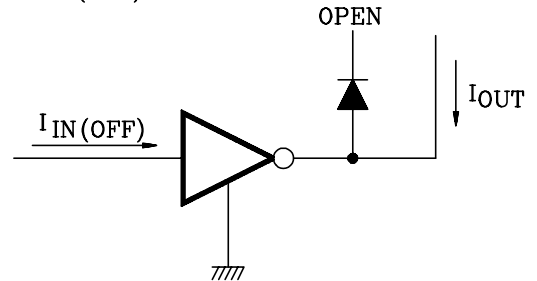
2.  $V_{CE(sat)}$ ,  $h_{FE}$



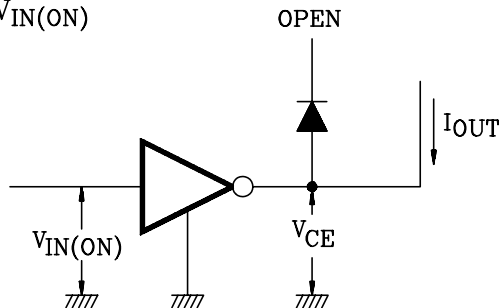
3.  $I_{IN(ON)}$



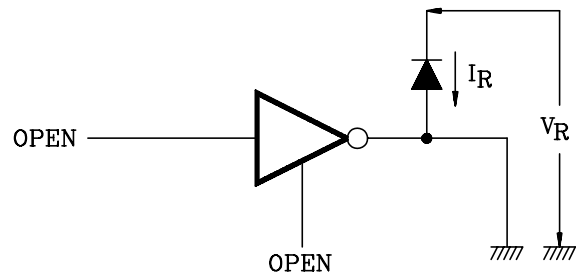
4.  $I_{IN(OFF)}$



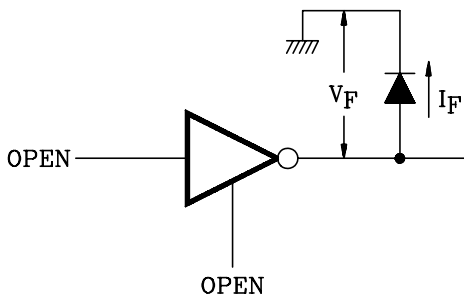
5.  $V_{IN(ON)}$



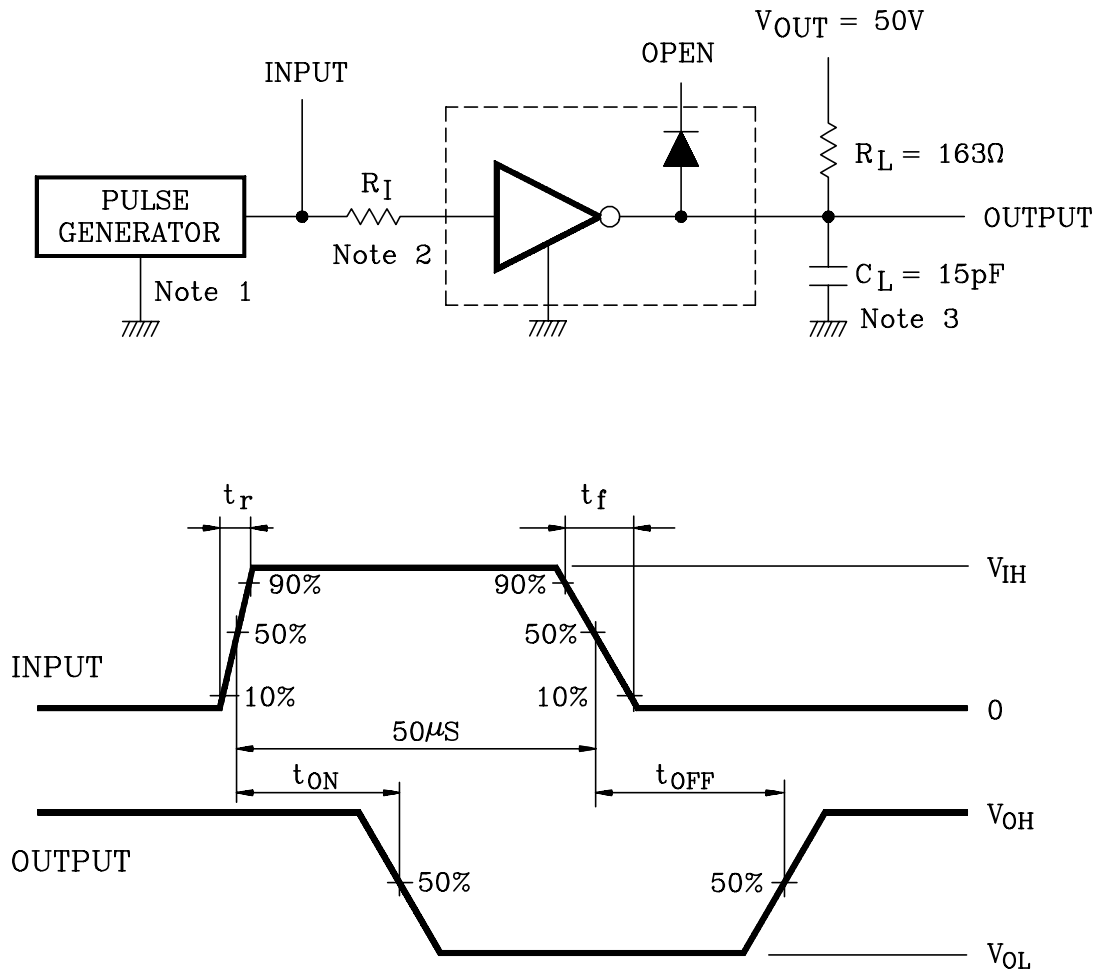
6.  $I_R$



7.  $V_F$



## 8. $t_{ON}, t_{OFF}$



Notes : 1. Pulse Width  $50\mu\text{S}$ , Duty Cycle 10%  
 Output Impedance  $50\Omega$ ,  $t_r \leq 5\text{ns}$ ,  $t_f \leq 10\text{ns}$

2. See below

Input Conditions

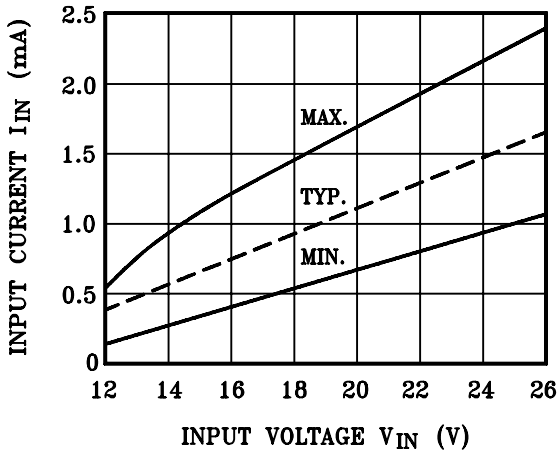
Type Number	$R_I$	$V_{IH}$
KID65001APV/AFV	$2.7\text{k}\Omega$	3V
KID65002APV/AFV	0	13V
KID65003APV/AFV	0	3V
KID65004APV/AFV	0	8V

3.  $C_L$  includes probe and jig capacitance.

# KID65001APV/AFV ~ KID65004APV/AFV

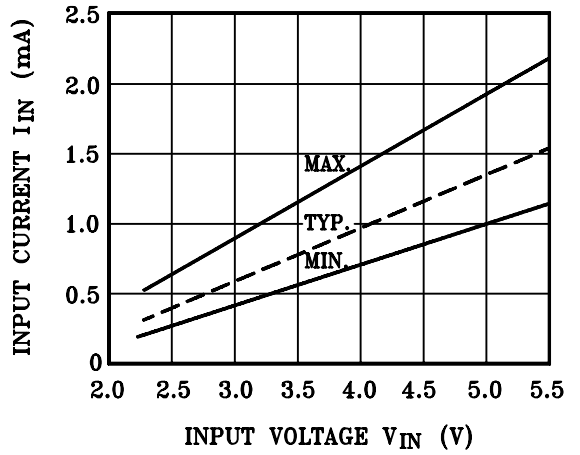
KID65002APV/AFV

$I_{IN} - V_{IN}$



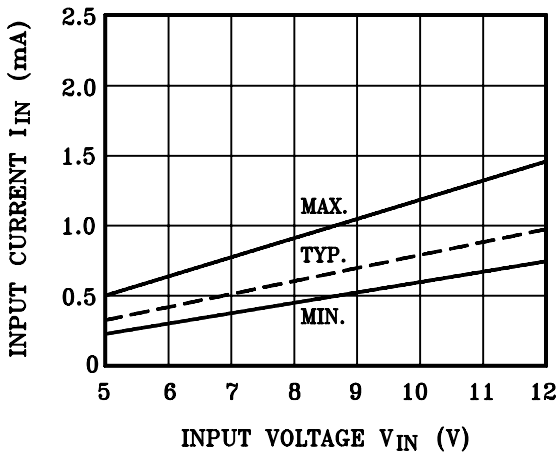
KID65003APV/AFV

$I_{IN} - V_{IN}$

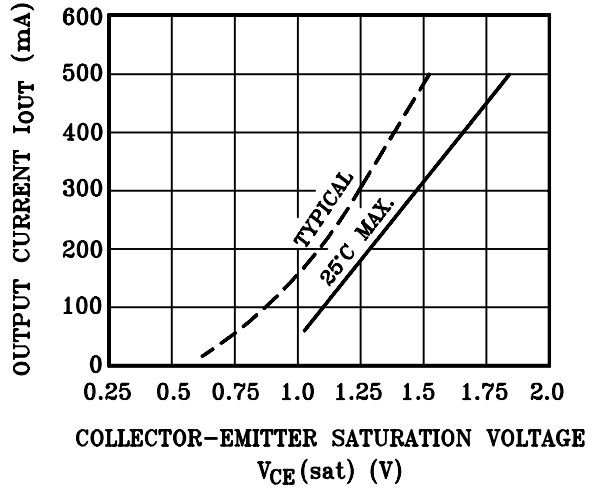


KID65004APV/AFV

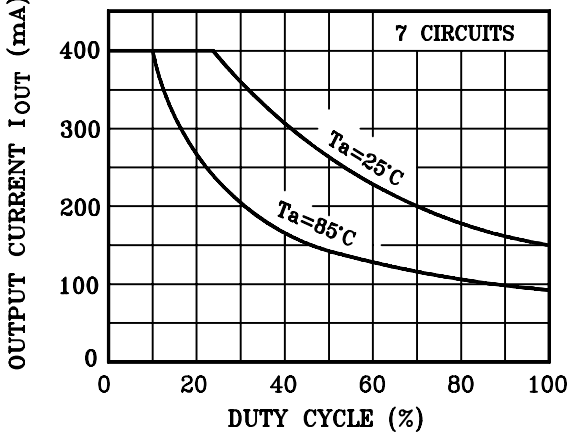
$I_{IN} - V_{IN}$



$I_{OUT} - V_{CE(sat)}$



$I_{OUT} - \text{DUTY CYCLE}$



$P_D - T_a$

